

Zaptec Pro → User Manual

EU Declaration of Conformity

Manufacturer name: **Zaptec Charger AS**

Manufacturer address: Professor Olav
Hanssens vei 7A
4021 Stavanger
NORWAY

declares that the product
EVSE (Electric Vehicle Supply Equipment)

Product identification(s)
Zaptec Pro MID

is issued under the sole responsibility of the manufacturer and the products are in conformity with the Community harmonization legislation as the essential requirements of the

Radio Equipment Directive 2014/53/EU of the European Parliament and of the Council of 16 April 2014, relating to radio equipment and the mutual recognition of their conformity, and the

ROHS directive 2011/65/EU of the European Parliament and of the Council of 8 June 2011, on the restriction of the use of certain hazardous substances in electrical and electronic equipment, and the

Measuring Instruments Directive 2014/32/EU of the European Parliament and of the Council of 26 February 2014, on the harmonization of the laws of the Member States relating to the making available on the market of measuring instruments, Annex I, Annex II, and Annex V (MI-003),

if used for its intended use. The following relevant harmonized standards have been applied:

1. Radio spectrum (article 3.2 of RED 2014/53/EU) applied standards
EN 300 328 V.2.2.2
EN 300 330 V2.1.1
EN 301 908-1 V11.1.1
2. Electrical Safety (article 3.1a of RED 2014/53/EU) applied standards
EN IEC 61851-1:2019
EN 61008-1:2012
EN 62423:2012
EN IEC 61439-1:2021
EN IEC 61439-7:2020
3. Electromagnetic compatibility (article 3.1b of RED 2014/53/EU) applied standards
EN IEC 61851-21-2:2021
EN 62311:2008
4. Hazardous substances in electrical and electronic equipment (article 4 of ROHS 2011/65/EU) applied standard
EN IEC 63000:2018
5. Measuring Instruments (Module B of MID 2014/32/EU) applied standards
EN 50470-1:2006
EN 50470-3:2006

The notified body Justerveaset (0431) performed certification according to **Measuring Instruments Directive** Module B and issued certificate **N-18/3585**. The notified body NMi Certin B.V. (0122) performed certification according to Module D and issued certificate **CE-410**.

Place, date: Stavanger 21 April 2023


Peter Bordenfleth-Hansen, CEO

EU Declaration of Conformity

Manufacturer name: **Zaptec Charger AS**

Manufacturer address: Professor Olav
Hanssens vei 7A
4021 Stavanger
NORWAY

declares that the product EVSE (Electric Vehicle Supply Equipment)

Product identification(s) **Zaptec Pro**

is issued under the sole responsibility of the manufacturer and the products are in conformity with the Community harmonization legislation as the essential requirements of the **Radio Equipment Directive 2014/53/EU** of the European Parliament and of the Council of 16 April 2014, relating to radio equipment and the mutual recognition of their conformity and the **ROHS directive 2011/65/EU** of the European Parliament and of the Council of 8 June 2011, on the restriction of the use of certain hazardous substances in electrical and electronic equipment, if used for its intended use. The following relevant harmonized standards have been applied:

1. Radio spectrum (article 3.2 of RED 2014/53/EU)
applied standards
EN 300 328 V.2.2.2
EN 300 330 V2.1.1
EN 301 908-1 V11.1.1
2. Electrical Safety (article 3.1a of RED 2014/53/EU)
applied standards
EN IEC 61851-1:2019
EN 61008-1:2012
EN 62423:2012
EN IEC 61439-1:2011
EN IEC 61439-7:2020
3. Electromagnetic compatibility (article 3.1b of RED 2014/53/EU) applied standards
EN IEC 61851-21-2:2021
EN 62311:2008
4. Hazardous substances in electrical and electronic equipment (article 4 of ROHS 2011/65/EU)
applied standard
EN 63000:2018

Place, date: Stavanger, 18.08.2022



Peter Barndenfleth-Hansen, CEO

English.....	5
Norsk	16
Svenska.....	27
Dansk.....	38
Deutsch.....	49
Française.....	60
Italiano.....	71
Nederlands.....	82

Congratulations on your purchase of a Zaptec Pro!

A Norwegian charging system. The system is compatible with all power grids and with all types of rechargeable vehicles.*

Zaptec Pro enables you to charge your vehicle safely, simply and efficiently. The charging station distributes the available charging current between a number of charging stations.

Use your Zaptec Pro with a charging pass or through our Zaptec app to approve users in the installation. This will provide you with an overview of your charging history via our cloud-based service (Zaptec Portal).

When you purchase Zaptec Pro, you have purchased a charging station which regularly receives software updates from our cloud-based service to ensure that your charger is always updated.

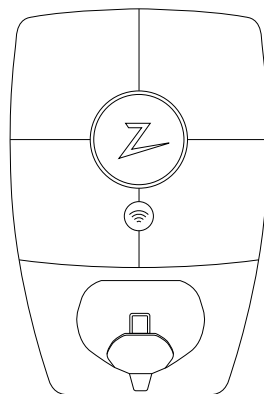
** Provided that the vehicle supports the type of power grid concerned.*



This user manual is intended for users of the charging station only. For information on how to configure and set up the charger, see our installation manual. You will find the latest version of this installation manual at zaptec.com/support. The version number for this user manual is shown on the last page.

Table of Contents

1. Safety Instructions	6
2. Technical Specifications	7
3. Troubleshooting	12
4. Check the Circuit Breaker in the Charging Station	14
5. Storage and Maintenance	14
6. Guarantee	15
7. Support and Repairs	15



1. Safety Instructions



WARNING!

Before using or maintaining this product, it is important to read the following safety instructions. If you fail to follow and implement all the specified instructions and procedures, you will invalidate the warranty and Zaptec Charger AS will not be liable for any claims for compensation.

- ! Read these instructions carefully and examine the equipment to familiarise yourself with the product prior to use.
- ! This equipment may only be installed, repaired and maintained by qualified personnel.
- ! All applicable local, regional and national regulations must be followed when installing, repairing and maintaining this equipment.
- ! Do not use this product if it is damaged. See the section Support and Repairs for further information.
- ! Do not use an extension lead on the charging cable.
- ! Do not touch the plugs or insert foreign objects into them.
- ! Do not insert measuring pins, wires or anything else into the quick-release connector on the charging station. Contact your electrician for testing.
- ! Adapters are permissible – a conversion adapter from the EVSE plug must only be used if specified and approved by the vehicle manufacturer or EVSE producer.

2. Technical Specifications

Electrical

Parameter	Test condition	Min	Typ	Max	Unit
Standby power consumption			3		W
Maximum charging power	TN 3 phase @ 32 A		22		kW
	TN 1 phase @ 32 A		7.4		
	IT 3 phase @ 32 A		12.7		
	IT 1 phase @ 32 A		7.4		

Connectivity

Protocol	Supported standards
4G	LTE Cat M1
Wi-Fi	802.11b/g/n (2.4 GHz)
Bluetooth	Bluetooth v5.1 (BR/EDR/BLE)
Powerline (PLC)	HomePlug Green PHY, 10 Mbit/s
Plug and charge	Hardware support for ISO15118
RFID	ISO/IEC 14443 A (Type A, 13.56 MHz) ISO/IEC 15693 (Mifare classic, 13.56 MHz)

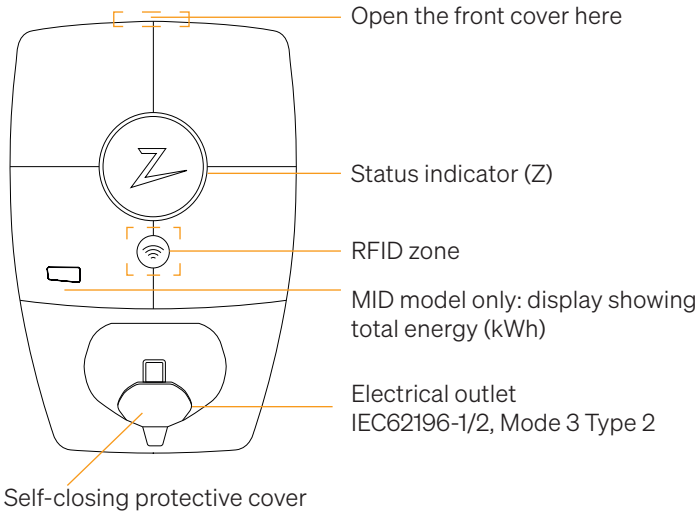
Integrated energy meter

Parameter	Test condition	Min	Typ	Max	Unit
Accuracy	Line voltage, current, and power factor	-2		2	%
	Line voltage, current, power factor and temperature	-3		3	%

MID model only: integrated energy meter

Parameter	Value
Certification	MID Class B
Harmonized Standard	EN 50470 -1, - 3
Notified Body	Justervesenet (0431) / NMI Certin (0122)
Rated Voltage	3 × 230/400 V
Rated Current	0.25-5 (32) A
Optical Test Output (must be activated in the app)	10000 imp/kWh

Zaptec Pro



Status Indicators on the Charging Station

The status of the charging station is shown by the status indicator (Z) using the following colours:

Colour	Continuous	Flashing
GREEN	Ready to charge Charging complete	Authentication OK
BLUE	Connected to a vehicle and ready to charge	Charging
RED	Error (see the Troubleshooting section for further details)	Authentication failed (see the Troubleshooting section for further details)
YELLOW		System starting up Awaiting authentication Awaiting Zaptec Portal Vehicle added to queue
PURPLE		Firmware updating

Cable



Zaptec Pro needs a Type 2 charging point in order for you to be able to charge

How to Start Charging

1. Check that the status indicator (Z) is illuminated green.
2. Remove the protective cover to gain access to the electrical outlet.
3. Attach the charging connector to the Zaptec Pro.
4. Attach the charging connector to your vehicle.
5. The status indicator will flash blue once charging has started.



Charging current may vary depending on the capacity of the installation and the number of active charging stations.

How to Start Charging with Authentication

Charging with authentication requires you to have registered a user profile via Zaptec Portal and for your user profile to have had access granted to them (via Zaptec Portal) to the charging station/facility. The charging pass is linked to your user.

For details on how to set this up, see the section [Connecting a Charging Pass to Your User](#).

The recommended authentication method is to use a charging pass.

Start charging with an authentication RFID tag/charging card:

1. Follow steps 1–4 in [How to Start Charging](#).
5. The status indicator (Z) will now flash yellow to indicate that it is awaiting authentication.
6. Hold the charging pass up to the RFID zone; see the illustration in the section [Zaptec Pro](#).
7. The status indicator will flash green once authentication is approved.
8. The status indicator will flash blue once charging has started.

If the status indicator is flashing red, see the [Troubleshooting](#) section for further details.

Start charging with authentication for automatic payment solution/operator

1. The user must be created/activated for the payment solution/operator concerned.
2. Follow the instructions from the applicable payment solution/operator for authentication and to start charging.

How to Stop Charging

1. To interrupt the charging process: Stop charging as recommended in your car's user manual.
2. Disconnect the charging connector from the vehicle.
3. Disconnect the charging connector from the charging station.
4. Place the protective cover over the charging point to limit exposure to dust and rain.

Connecting a Charging Pass to your User

Zaptec Pro supports the most commonly used charging passes (Mifare Classic). If you have a visually readable code, this can be added via Zaptec Portal or by scanning the charging pass using the charging station as described below. Your user profile must have access to the installation you wish to use. This must be done by admin/installation owner in Zaptec Portal.

1. Download the Zaptec app from App Store/Google Play.
2. Register as a user and log in to the Zaptec app.
3. Go to the menu, select user profile and add a new charging card. Then follow the instructions in the Zaptec app.

MID Model: Integrated MID Certified Energy Meter

Zaptec Pro has an integrated MID certified energy meter. Your charging station is individually calibrated to ensure accurate measurements every time. MID class B certification offers the same accuracy used in most home energy meters around the world. Display shows the total energy delivered over the lifespan of the charging station. To view your session energy, you can use Zaptec App, Zaptec Portal or if applicable your eMobility Service Provider. For more technical information about the MID energy meter, please visit <https://zaptec.com/mid>.

How to Monitor the Charging Station (Zaptec Portal)

You can log in via Zaptec Portal to see all your charging stations and all the charging stations that you are registered to use. If you are the owner of an installation, you can monitor all use, and you can use this information to share the electricity cost fairly. The installation or owner of the installation must add you as a user of the installation in order for you to be able to see the information.

Log in or register as a new user at <https://portal.zaptec.com>

Adding Users to the Installation

The installation owner can add users of the system by going to 'access'. Here, new users can be added, invited or removed from the system. This assumes that authentication (user control) has been activated on the installation.

Locking the Charging Cable for the Charging Station

The charging cable can be locked permanently to the charging station. This feature is activated via the Zaptec app.

1. Log in to the Zaptec app (can be downloaded from App Store/Google Play).
2. Go to settings and select the desired charging station.
3. Enter the PIN code for the charging station concerned and activate Lock cable for this charging station.

Set Lighting Strength for the Status Indicator

- Log in to the Zaptec app.
- Click on the cog in the top right hand corner of the app home page.
- Select the charging station that you wish to amend the settings for.
- Enter the PIN code for the charging station
- The lighting strength can be adjusted by using the slider under 'Lighting strength for status indicator'.

Reading Error Codes

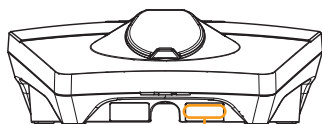
- Log in to the Zaptec app.
- Click on the cog in the top right hand corner of the app home page.
- Select the charging station that you want to view the error code for.
- Once the app has connected to the charging station, a red field will be displayed when the charger has active error codes. Click on this field to show the details of the active error codes.

3. Troubleshooting

Warnings/error messages are displayed in the Zaptec Portal /Zaptec App.

Problem	Solution
Cannot log on to the Zaptec Portal	Reset password by clicking on 'Forgotten Password'
Cannot create installation via the Zaptec Portal	Contact Zaptec Support to gain access to create installations.
Charging station is not online, 4G installation	<ul style="list-style-type: none"> • Make sure that the charging station is not covered by anything. • Test the coverage at the installation site using your own mobile. A mobile with a Telenor SIM has to be used for accurate measurement.
The charging station is not online, PLC installation	<ul style="list-style-type: none"> • Check the network setup on the router or modem. • Check that the internet is working by connecting the computer directly to the router or modem. • Not configured. • Check that the PLC module has been installed in accordance with the circuit diagram and on the same L1 and N as the charging station(s)
The charging station is not online, WiFi installation	<ul style="list-style-type: none"> • Check the network setup on the router or modem. • Check that the internet is working by connecting the computer directly to the router or modem. • Disconnect other devices which are connected to WiFi which can delay broadband speed • Check that the SSID and the password for the WiFi are correct. • Make sure 2.4 GHz is activated so that Zaptec Pro obtains a network connection. See Installation requirements, page 11. • Enter the SSID and password manually by selecting Other in the network list.
Charging does not start	Check that the user profile has access to charge on the charging station
No power being supplied to charging station	<ul style="list-style-type: none"> • Follow the instructions in the section 'Checking the Fuses in the Charging Station' • Check the main fuse in the installation

Colour	Meaning
NO LIGHT	Charging station has not been activated in the Zaptec Portal, no power from the power circuit, incorrect connection or product fault. Check the serial protection in the distribution cabinet.
PURPLE	Not updated during charging.
GREEN	<ul style="list-style-type: none"> • Check that the charging cable has been inserted into the charging station correctly. • Check that the vehicle has been configured to start charging immediately.
BLUE	<ul style="list-style-type: none"> • Communication is taking place between the charging station and the vehicle. • Check whether the vehicle is configured to start charging immediately.
RED	<p>Flashing red light</p> <ul style="list-style-type: none"> • Authentication failed – Check that the RFID tag/charging card is connected to your user profile. • Authentication failed – Check in the Zaptec Portal that your user has access to charge on the charging station and/or installation concerned. <p>Steady red light</p> <ul style="list-style-type: none"> • Disconnect the charging cable. If the status indicator illuminates green, you can connect the charging cable again. If charging does not start and the indicator illuminates red again, there may be a charging fault on the charging cable or vehicle. • If the status indicator lamp does not turn green after the charging cable has been disconnected, you must check the fuses as described in the chapter 'Checking the fuses in the charging station'. • Authentication failed – Check that the RFID tag/charging card is connected to your user profile.



Serial number
e.g. ZPR123456

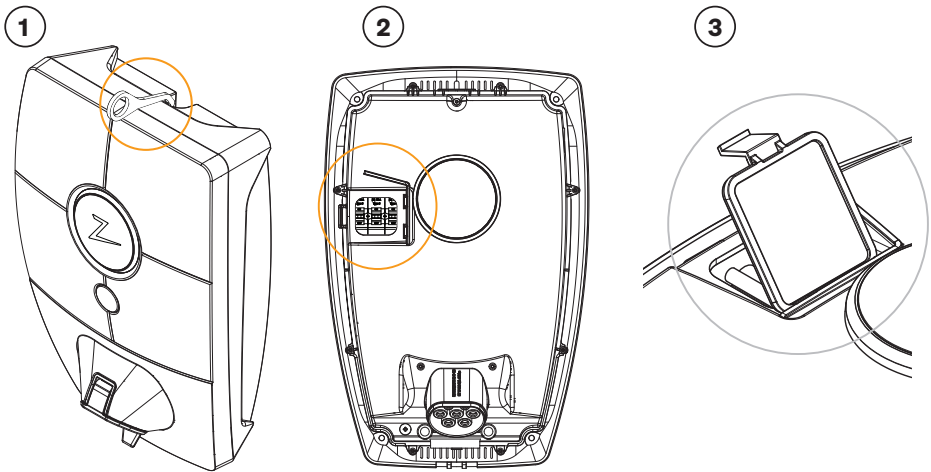


If the charging station has been disconnected from the power network, it will take 2–3 minutes before the charging station starts up again.

4. Check the Circuit Breaker in the Charging Station

1. Remove the front cover using the SmartKey* special tool supplied with the charging station, and take the front cover off.
2. Check that the circuit breakers in the circuit breaker window have not tripped (they should all face upwards).
3. If any of the circuit breakers have tripped, remove the circuit breaker cover using the snap cover and flip the circuit breakers up again. Fit the circuit breaker cover as in step two and clip the cover into place.

* If the charging station is mounted on a Zaptec Column, you must use a SmartKey Column (supplied with the column) in order to access the charging station.



5. Storage and Maintenance

The product must be stored in a cool, dry place. The protective cover must always be fitted when the product is not in use.

The following periodic maintenance is recommended:

- Wipe down the charging station with a damp cloth.
- Make sure there are no foreign objects in the charging connector.
- Check that the charging station has no physical external damage.

Periodic checks should be carried out on all publicly accessible installations, in accordance with local legislation.

6. Guarantee

We guarantee that the device is free from material faults and complies with applicable consumer protection laws and regulations in the country in which the product was purchased or the consumer resides. Further information about your rights under consumer legislation can be found at zaptec.com/guarantee. Your Zaptec product comes with a five (5) year guarantee. Please find the guarantee document at zaptec.com/guarantee

7. Support and Repairs

The installation technician/service partner is always the first line of support in the event of problems with the installation. Zaptec strongly recommends that the installation technician complete the dealer course for Zaptec Pro before installing a Zaptec Pro system. If you are a Zaptec dealer, contact support as stated in your dealership contract, or via zaptec.com.



Zaptec Charger AS collects data from the product via the network. More information on our privacy guidelines can be found at zaptec.com/guarantee.

Gratulerer med ditt kjøp av Zaptec Pro!

Et unikt norsk ladesystem. Systemet virker på alle strømnnett, med alle typer ladbare biler.*

Zaptec Pro lar deg lade ditt kjøretøy på en trygg, enkel og effektiv måte. Ladestasjonen deler den tilgjengelige ladestrømmen mellom flere ladestasjoner.

Bruk din Zaptec Pro med ladebrikke eller gjennom vår Zaptec-app for å godkjenne brukere i installasjonen. Dette gir deg en oversikt over din ladehistorikk i vår skytjeneste (Zaptec Portal).

Når du kjøper Zaptec Pro har du kjøpt en ladestasjon som regelmessig får programvareoppdateringer fra skytjenesten vår slik at din lader alltid er oppdatert.

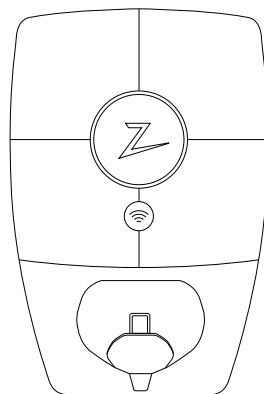
* Forutsatt at kjøretøyet støtter det aktuelle type strømnnett.



Denne brukermanualen er bare for brukere av ladestasjonen. For informasjon om hvordan du konfigurerer og setter opp laderen, se vår installasjonsmanual. Den nyeste versjonen av denne installasjonsmanualen finner du på zaptec.com/support.
Versjonsnummer for denne brukermanualen finnes på siste side.

Innholdsfortegnelse

1. Sikkerhetsinstruksjoner	17
2. Tekniske spesifikasjoner	18
3. Feilsøking	23
4. Kontroller sikringen på ladestasjonen	25
5. Oppbevaring og vedlikehold	25
6. Garanti	26
7. Støtte og reparasjon	26



1. Sikkerhetsinstruksjoner



ADVARSEL!

Før dette produktet skal tas i bruk eller vedlikeholdes, er det viktig å lese de nedenstående sikkerhetsanvisningene. Hvis ikke alle de omtalte anvisningene og prosedyrene følges og iverksettes, vil garantiene bli ugyldige, og Zaptec Charger AS vil bli fritatt for alle erstatningskrav.

- ! Les disse instruksjonene nøye og undersøk utstyret for å gjøre deg kjent med produktet før bruk.
- ! Dette utstyret må kun installeres, repareres og vedlikeholdes av kvalifisert personell. (NEK400)
- ! Alle gjeldende lokale, regionale og nasjonale forskrifter må respekteres når du installerer, reparerer og vedlikeholder dette utstyret.
- ! Ikke bruk et skadet produkt. Se avsnittet Støtte og Reparasjon for informasjon.
- ! Ikke bruk skjøteledning på ladekabelen.
- ! Ikke rør kontaktene eller før fremmedlegemer inn i dem.
- ! Det må ikke føres inn målepinner, ledninger eller annet i hurtigkobling på ladestasjonen. Kontakt din elektriker for testing.
- ! Adaptere er tillatt – en konverteringsadapter fra EVSE-kontakten skal kun brukes hvis angitt og godkjent av bilprodusenten eller EVSE-produsenten.

2. Tekniske spesifikasjoner

Generelt

Parameter	Testbetingelse	Min.	Typ	Maks.	Enhet
Egetforbruk			3		W
Ladeeffekt	TN 3-fase @ 32 A		22		kW
	TN 1-fase @ 32 A		7.4		
	IT 3-fase @ 32 A		12.7		
	IT 1-fase @ 32 A		7.4		

Tilkobling

Protokoll	Støttede standarder
4G	LTE Cat M1
Wi-Fi	802.11b/g/n (2,4 GHz)
Bluetooth	Bluetooth v5.1 (BR/EDR/BLE)
Powerline (PLC)	HomePlug Green PHY, 10 Mbit/s
Plug and charge	Maskinvarestøtte for ISO15118
RFID	RFID ISO/IEC 14443 A (type A, 13,56 MHz) ISO/IEC 15693 (Mifare klassisk, 13,56 MHz)

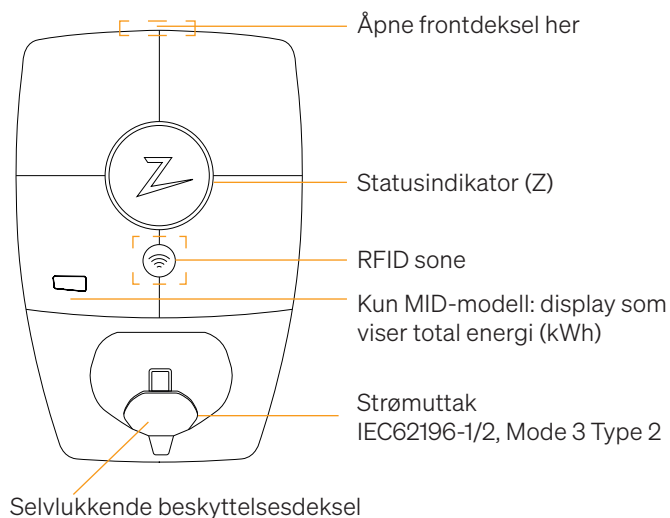
Innebygd energimåler

Parameter	Testbetingelse	Min.	Type	Maks.	Enhet
Nøyaktighet	Linjespenning, strøm og effektfaktor	-2		2	%
	Linjespenning, strøm, effektfaktor og temperatur	-3		3	%

Kun MID-modell: innebygd energimåler

Parameter	Verdi
Sertifisering	MID klasse B
Harmonisert standard	NEK EN 50470 -1, -3
Teknisk kontrollorgan	Justervesenet (0431) / NMI Certin (0122)
Nominell spenning	3 × 230/400 V
Merkestrøm	0,25-5 (32) A
Optisk testutgang (må være aktivert i appen)	10 000 imp/kWh

Zaptec Pro



Statusindikatorer på ladestasjonen

Ladestasjonens status vises i statusindikatoren (Z), med disse forskjellige fargene:

Farge	Kontinuerlig	Blinkende
GRØNN	Klar for lading Lading Ferdig	Autentisering OK
BLÅ	Koblet til et kjøretøy og klar til å lade	Lader
RØD	Feil (se avsnittet Feilsøking for flere detaljer)	Autentisering mislyktes (se avsnittet Feilsøking for flere detaljer)
GUL		Systemet starter opp Venter på autentisering Venter på Zaptec Portal Kjøretøy lagt til kø
LILLA		Firmware oppdateres

Kabel



Zaptec Pro trenger en Type 2 ladekontakt for at du skal kunne lade.

Hvordan starte lading

1. Sjekk at statusindikatoren (Z) lyser grønt.
2. Fjern beskyttelsesdekselet for tilgang til strømuttaket.
3. Sett ladekontakten i strømuttaket til Zaptec Pro.
4. Sett ladekontakten i ditt kjøretøy.
5. Statusindikatoren blinker blått når ladingen har startet.



Ladestrøm kan variere avhengig av kapasiteten til installasjonen og antall aktive ladestasjoner.

Hvordan starte lading med autentisering

Lading med autentisering krever at du har registrert en bruker i Zaptec Portal og at brukeren din har fått tilgang (i Zaptec Portal) til ladestasjonen/anlegget fra installasjonseier. Ladebrikken er knyttet til din bruker.

For oppsett se avsnittet Koble Ladebrikke til din bruker. Anbefalt autentiseringsmetode er ladebrikke.

Starte lading med autentisering RFID-tag/ladekort:

1. Følg trinn 1–4 i Hvordan starte lading.
5. Statusindikatoren (Z) blinker nå gult, for å indikere at den venter på autentisering.
6. Hold ladebrikke inntil RFID-sonen, se illustrasjon i avsnittet Zaptec Pro.
7. Statusindikatoren blinker grønt når autentiseringen er godkjent.
8. Statusindikatoren blinker blått når ladingen har startet.

Blinkende rød lys i statusindikator, se avsnitt for Feilsøking.

Starte lading med autentisering for automatisk betalingsløsning/operatør

1. Bruker må være opprettet/aktivert for gjeldende Betalingsløsning/operatør.
2. Følg anvisningen fra gjeldende Betalingsløsning/operatør for autentisering og start av lading.

Hvordan avslutte lading

1. For å avbryte ladeprosessen: Stopp ladingen som anbefalt i bilens brukerhåndbok.
2. Koble ladekontakten fra kjøretøyet.
3. Koble ladekontakten fra ladestasjonen.
4. Sett beskyttelsesdekslet over ladestikket for å begrense eksponeringen for støv og regn.

Koble ladebrikke til din bruker

Zaptec Pro støtter de vanligste ladebrikker (Mifare Classic). Ved visuelt lesbar kode kan denne legges inn i Zaptec Portal eller ved å scanne ladebrikken med ladestasjonen som beskrevet nedenfor. Brukerprofilen din må ha tilgang til installasjonen du ønsker å bruke, dette må gjøres av admin/installasjonseier i Zaptec Portal.

1. Last ned Zaptec-appen fra App Store/Google Play.
2. Registrer deg som bruker og logg inn i Zaptec-appen.
3. Gå til meny, brukerprofil og legg til nytt ladekort, følg instruksjonene fra Zaptec-appen.

MID-modell: innebygd MID-sertifisert energimåler

Zaptec Pro har en innebygd MID-sertifisert energimåler. Ladestasjonen er individuelt kalibrert for å sikre nøyaktige målinger hver gang. MID klasse B-sertifiseringen innebærer samme eller bedre nøyaktighet enn det som brukes i de fleste energimålerne i boliger verden over. Displayet viser den totale energien som er levert i løpet av ladestasjonens levetid. Du kan se energien per økt i Zaptec-appen, Zaptec Portal eller hos eMobility-tjenesteleverandøren din (der det er aktuelt). Du kan finne mer teknisk informasjon om MID-energimåleren på <https://zaptec.com/mid>.

Slik overvåker du ladestasjonen (Zaptec Portal)

I Zaptec Portal kan du logge inn for å se alle dine ladesesjoner og alle ladestasjoner du er registrert for å bruke. Hvis du er eier av en installasjon, kan du overvåke all bruk, og du kan bruke denne informasjonen til å dele strømkostnaden rettferdig. Installatøren eller eieren av installasjonen må legge til deg som bruker av installasjonen for at du skal kunne se informasjonen.

Logg inn eller registrer deg som ny bruker på <https://portal.zaptec.com>

Legge til brukere på installasjonen

Installasjonseier kan legge til brukere av anlegget ved å gå inn på «tilgang». Her kan nye brukere legges til, inviteres og fjerne brukere av anlegget. Dette forutsetter at autentisering (brukerkontroll) er aktivert på installasjonen.

Lås ladekabelen til ladestasjonen

Ladekabelen kan låses permanent til ladestasjonen, aktiveres gjennom Zaptec-appen.

1. Logg inn på Zaptec-appen (lastes ned fra App Store/Google Play).
2. Gå til innstillinger og velg ønsket ladestasjon.
3. Skriv in PIN kode for gjeldende ladestasjon og aktiver Lås kabel for denne ladestasjonen.

Still lysstyrke for statusindikator

- Logg inn på Zaptec-appen.
- Klikk på tannhjulet oppe i høyre hjørne på forsiden av appen.
- Velg ladestasjonen du vil endre innstillinger på.
- Skriv inn PIN-koden til ladestasjonen.
- Lysstyrken kan justeres ved å skyve på knappen under «Lysstyrke for statusindikator».

Les av feilkoder

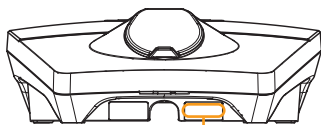
- Logg inn på Zaptec-app.
- Klikk på tannhjulet oppe i høyre hjørne på forsiden av appen.
- Velg ladestasjonen du vil lese ut feilkode fra.
- Når appen har koblet til ladestasjonen vil et rødt felt vises hvis laderen har aktive feilkoder. Trykk på dette feltet for å vise detaljer om de aktive feilkodene.

3. Feilsøking

Varsler/feilmeldinger vises i Zaptec Portal /Zaptec App.

Problem	Løsning
Kan ikke logge på Zaptec Portal	Gjenopprett passord ved å klikke «Glemt Passord»
Kan ikke lage installasjon i Zaptec Portal	Kontakt Zaptec Support for å få tilgang til å opprette installasjoner.
Ladestasjon er ikke på nett, 4G-installasjon	<ul style="list-style-type: none"> • Tilså at ladestasjon ikke blir dekket av objekter. • Test dekning på installasjonsområdet med egen mobil. For nøyaktig måling må det brukes mobil med Telenor SIM.
Ladestasjonen er ikke på nett, PLC-installasjon	<ul style="list-style-type: none"> • Sjekk nettverksoppsettet på ruter eller modem. • Kontroller at internett fungerer ved å koble datamaskinen direkte til router eller modem • Ikke konfigurert. • Kontroller at PLC-modul er installert i henhold til koblingsskjemaet og på samme L1 og N som ladestasjonen(e)
Ladestasjonen er ikke på nett, WiFi-installasjon	<ul style="list-style-type: none"> • Sjekk nettverksoppsettet på ruter eller modem. • Kontroller at internett fungerer ved å koble datamaskinen direkte til router eller modem • Skru av andre enheter som er koblet til WiFi som kan forsinke bredbåndshastighet • Kontroller at SSID og passord til WiFi er riktig. • Forsikre deg om at 2,4 GHz er aktivert slik at Zaptec Pro får nett. Se Installasjonskrav side 11. • Angi SSID og passord manuelt ved å velge Annet i nettverkslisten.
Ladingen starter ikke	Sjekk at brukerprofilen har tilgang til å lade på ladestasjonen.
Ikke strøm på ladestasjon	<ul style="list-style-type: none"> • Følg instruksjonene i seksjon «Kontroller sikringen i ladestasjonen» • Sjekk hovedsikringen i installasjonen

Farge	Betydning
INGEN LYS	Ladestasjonen har ikke blitt aktivert i Zaptec Portal, ikke blitt strømsatt fra strømkurs, feilkobling eller at det er en produktfeil. Kontroller forankobletvern i fordelingsskapet.
LILLA	Oppdateres ikke under lading.
GRØNN	<ul style="list-style-type: none"> Kontroller at ladekabelen sitter ordentlig i ladestasjonen. Kontroller om bilen er konfigurert til å starte ladingen umiddelbart.
BLÅ	<ul style="list-style-type: none"> Kommunikasjon pågår mellom ladestasjon og kjøretøy. Kontroller om bilen er konfigurert til å starte ladingen umiddelbart.
RØD	<p>Blinkende rødt lys</p> <ul style="list-style-type: none"> Autentisering mislyktes – kontroller at RFID-brikken/ladekortet er koblet til brukerprofilen din. Autentisering mislyktes – kontroller i Zaptec Portal at din bruker har tilgang til å lade på gjeldende ladestasjon- og/eller installasjon. <p>Kontinuerlig rødt lys</p> <ul style="list-style-type: none"> Koble fra ladekabelen. Hvis statusindikatoren lyser grønt, kan du koble til ladekabelen igjen. Hvis ladingen ikke starter og indikatoren lyser rødt igjen, indikerer det at det kan være ladefeil på ladekabelen eller bilen. Hvis statusindikatorlampen ikke blir grønn etter at ladekabelen er koblet fra, må du kontrollere sikringene som beskrevet i kapittelet «Kontrollere sikringene i ladestasjonen». Autentisering mislyktes – kontroller at RFID-brikken/ladekortet er koblet til brukerprofilen din.



Serienummer
eks. ZPR123456

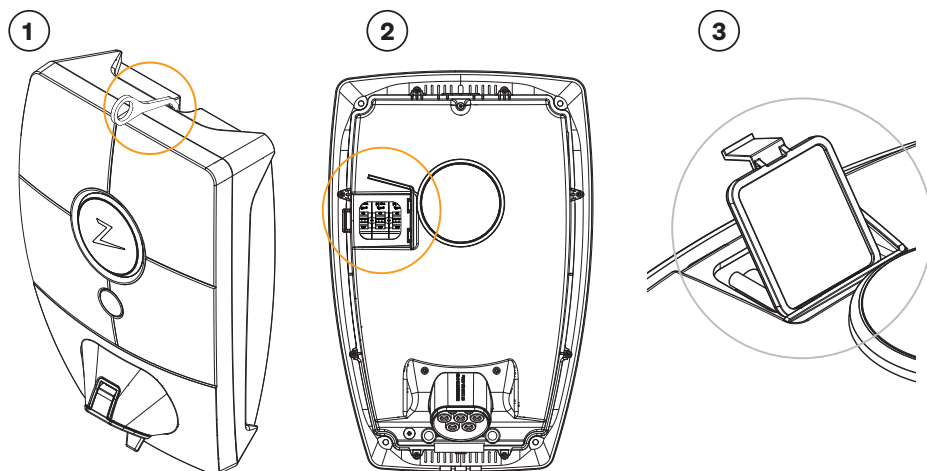


Hvis ladestasjonen har blitt koblet fra strømmettet tar det 2-3 minutter før ladestasjonen starter opp igjen.

4. Kontroller sikringen på ladestasjonen

1. Fjern frontdekslet ved hjelp av spesialverktøyet SmartKey* som fulgte med ladestasjonen, og trekk frontdekslet av.
2. Kontroller at sikringene i sikringsvinduet ikke har gått (alle skal vende oppover).
3. Hvis noen av sikringene har gått, fjerner du sikringsdekslet ved hjelp av snap-dekslet og vipper sikringene opp igjen. Sett på sikringsdekslet som i trinn to, og klips dekslet på plass.

* Hvis ladestasjonen er montert på en ZapCharger Column, bruker du SmartKey Column (fulgte med søylen) til å komme til ladestasjonen.



5. Oppbevaring og vedlikehold

Produktet må oppbevares på et kjølig, tørt sted. Beskyttelseshetten skal alltid være på når produktet ikke er i bruk.

Følgende periodiske vedlikehold anbefales:

- Tørk av ladestasjonen med en fuktig klut.
- Sørg for at ladekontakten er fri for fremmedlegemer.
- Kontroller at ladestasjonen ikke har fysiske utvendige skader.

Periodiske kontroller bør utføres på alle offentlig tilgjengelige installasjoner, i samsvar med lokal lovgivning.

6. Garanti

Vi garanterer at enheten er fri for feil i materialer og er i tråd med det som er angitt i lover og forskrifter om forbrukervern i det landet der produktet er kjøpt, eller der forbrukeren bor. Du finner mer informasjon om rettighetene som gis av forbrukervernlovene på zaptec.com/guarantee. Zaptec-produktet leveres med fem (5) års garanti. Du finner garantidokumentet på zaptec.com/guarantee

7. Støtte og reparasjon

Installatøren/servicepartneren er alltid første støttelinje ved problemer med installasjonen. Zaptec anbefaler på det sterkeste at installatøren har gjennomgått opplæringskurset for Zaptec Pro før Zaptec Pro-systemet installeres. Hvis du er en Zaptec-forhandler, kan du kontakte kundestøtte som angitt i forhandlerkontrakten din, eller via zaptec.com



Zaptec Charger AS innhenter data fra produktet via nettverket. Du finner mer informasjon om våre retningslinjer for personvern på zaptec.com/guarantee.

Grattis till ditt köp av Zaptec Pro!

Ett unikt norskt laddsystem. Systemet kan anslutas till alla elnät och är kompatibelt med alla typer av laddbara elfordon.*

Zaptec Pro ger dig möjligheten att ladda ditt fordon på ett tryggt, enkelt och effektivt sätt. Laddstationen fördelar tillgänglig laddström mellan flera laddstationer.

Använd din Zaptec Pro med laddbricka eller använd dig av vår Zaptec-app för att godkänna användare för anläggningen. Detta ger dig en översikt över din laddhistorik i vår molntjänst Zaptec Portal.

som kontinuerligt får programvaruuppdateringar från vår molntjänst. Med Zaptec Pro har du en laddenhet som alltid är uppdaterad.

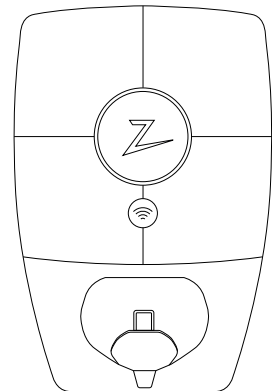
**Förutsatt att elfordonet stödjer anslutning till det aktuella elnätet.*



Denna användarmanual är endast avsedd för laddstationens användare. För information gällande konfiguration och installation av laddenheten, se vår installationsmanual. Den senaste versionen av installationsmanualen hittar du på zaptec.com/support. Versionsnummer för denna användarmanual hittar du på manualens sista sidan.

Innehållsförteckning

1. Säkerhetsinstruktioner	28
2. Tekniska specifikationer	29
3. Felsökning	34
4. Kontrollera kretsbrytaren i laddstationen	36
5. Förvaring och underhåll	36
6. Garanti	37
7. Støtte og reparasjon	37



1. Säkerhetsinstruktioner



VARNINGS MEDDELANDE!

Innan denna produkt tas i bruk eller underhålls, är det viktigt att noggrant läsa igenom nedanstående säkerhetsanvisningar. Underlåtenhet att följa och genomföra omnämnda anvisningar, instruktioner och tillvägagångssätt i denna manual, innebär att garantivillkoren annulleras och Zaptec Charger AS friskrivs från alla ersättningskrav.

- ! Läs dessa instruktioner noggrant och undersök utrustningen för att lära dig hur produkten fungerar innan användning.
- ! Denna utrustning får endast installeras, repareras och underhållas av kvalificerad personal.
- ! Alla gällande lokala, regionala och nationella föreskrifter måste följas vid installation, reparation eller underhåll av denna utrustning.
- ! Använd inte en skadad produkt. Se avsnittet Support och reparation för information.
- ! Använd inte förlängningsladd ihop med laddkabeln.
- ! Vidrör inte eller för inte in främmande föremål i elkontakterna/-uttagen.
- ! För aldrig in mätstickor, ledningar eller annat i snabbkoppling på laddstationen. Kontakta din elektriker för testning.
- ! Adaptrar får användas – En konverteringsadapter från EVSE-kontakten får endast användas om detta anges och har godkänts av tillverkare eller EVSE-tillverkaren.

2. Tekniska specifikationer

Allmänt

Parameter	Provningsvillkor	Min	Typ	Max	Enhet
Strömförbrukning i standby-läge			3		W
Maximal laddningseffekt	TN 3-fas vid 32 A		22		kW
	TN 1-fas vid 32 A		7.4		
	IT 3-fas vid 32 A (endast Norge)		12.7		
	IT 1-fas vid 32 A (endast Norge)		7.4		

Uppkoppling

Protokoll	Standarder som stöds
4G	LTE kat. M1
Wi-Fi	802.11b/g/n (2,4 GHz)
Bluetooth	Bluetooth v5.1 (BR/EDR/BLE)
Strömlinje (PLC)	HomePlug Green PHY, 10 Mbit/s
Anslut och ladda	Maskinvarustöd för ISO15118
RFID	RFID ISO/IEC 14443 A (typ A, 13,56 MHz) ISO/IEC 15693 (Mifare classic, 13,56 MHz)

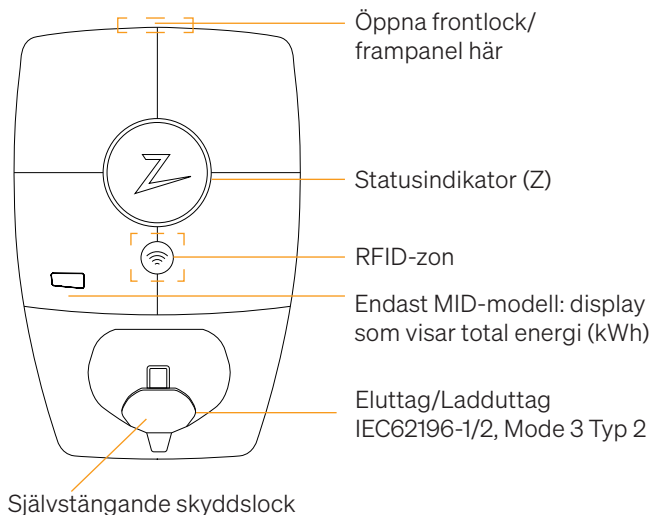
Inbyggd elmätare

Parameter	Provningsvillkor	Min	Typ	Max	Enhet
Noggrannhet	Linjespänning, ström och effektfaktor	-2		2	%
	Linjespänning, ström, effektfaktor och temperatur	-3		3	%

Endast MID-modell: inbyggd elmätare

Parameter	Värde
Certifiering	MID klass B
Harmoniserad standard	EN 50470 -1, - 3
Anmält organ	Justervesenet (0431) / NMI Certin (0122)
Nominell spänning	3 × 230/400 V
Nominell ström	0,25–5 (32) A
Optisk testutgång (måste aktiveras i appen)	10000 imp/kWh

Zaptec Pro



Statusindikatorer på laddstationen

Laddstationens status visas i statusindikatorn (Z), med följande olika färger:

Färg	Kontinuerlig	Blinkande
GRÖN	Klar för laddning Laddning klar	Autentisering OK
BLÅ	Ansluten till ett fordon och klar för laddning	Laddar
RÖD	Fel (se avsnittet Felsökning för ytterligare detaljer)	Autentisering misslyckades (se avsnittet Felsökning för ytterligare detaljer)
GUL		Systemet startar upp Väntar på autentisering Väntar på Zaptec Portal Fordonet har ställts i kö
LILA		Inbyggd programvara uppdateras

Kabel/Sladd



Zaptec Pro kräver ett Typ 2-uttag för att du skall kunna ladda ditt fordon

Uppstart av laddning

1. Kontrollera att statusindikatorn (Z) lyser grönt.
2. Ta bort skyddslocket för åtkomst till eluttaget.
3. Anslut laddkontakten i Zaptec Pro-enhetens eluttag
4. Anslut laddkontakten till ditt fordon.
5. Statusindikatorn blinkar blått när laddningen har startat.



Laddningsströmmen kan variera beroende på anläggningens kapacitet och antalet aktiva laddningsstationer.

Uppstart av laddning med autentisering

Laddning med autentisering kräver att du har registrerat en användare i Zaptec Portal och att din användare har fått åtkomstillstånd (i Zaptec Portal) för laddstationen/ anläggningen från anläggningsägaren. Laddbrickan är knuten till din användare.

För inställning, se avsnittet Samman knyta laddbricka och användare. Rekommenderad autentiseringsmetod är laddbricka.

Starta upp laddning med autentisering RFID-tag/laddkort:

1. Följ steg 1–4 i Uppstart av laddning.
5. Statusindikatorn (Z) blinkar nu gult, för att indikera att den väntar på autentisering.
6. Håll laddbrickan intill RFID-zon, se illustration i avsnittet Zaptec Pro.
7. Statusindikatorn blinkar grönt när autentiseringen är godkänd.
8. Statusindikatorn blinkar blått när laddningen har startat.

Blinkande rött ljus i statusindikator, se avsnitt för Felsökning.

Starta upp laddning med autentisering för automatisk betalningslösning/operatör

1. Användare måste vara upprättad/aktiverad för gällande betalningslösning/operatör.
2. Följ anvisningen från gällande betalningslösning/operatör för autentisering och uppstart av laddning.

Avsluta laddning

1. För att avbryta laddprocessen: Avsluta laddningen enligt rekommendation i fordonets användarhandbok.
2. Koppla ur laddkontakten från fordonet.
3. Koppla ur laddkontakten från laddstationen.
4. Montera skyddslocket över ladduttaget för att begränsa exponeringen för damm och regn.

Samman knyta laddbricka och användare

Zaptec Pro stödjer de vanligaste laddbrickorna (Mifare Classic). Genom visuellt läsbar kod kan denna läggas in i Zaptec Portal eller genom att skanna laddbrickan med laddstationen, såsom beskrivs nedan. Din användarprofil måste ha åtkomst till den anläggning du vill använda. Detta måste göras av administratör/anläggningsägare i Zaptec Portal.

1. Ladda ned Zaptec-appen från App Store/Google Play.
2. Registrera dig som användare och logga in på Zaptec-appen.
3. Gå till meny, användarprofil och lägg till nytt laddkort, följ instruktionerna från Zaptec-appen.

MID-modell: integrerad MID-certifierad energimätare

Zaptec Pro har en integrerad MID-certifierad energimätare. Din laddstation kalibreras individuellt för att säkerställa noggranna mätningar varje gång. MID klass B- certifiering erbjuder samma noggrannhet som den som används i de flesta hemenergimätare runt om i världen. Displayen visar den totala energi som levereras under laddstationens livslängd. För att se energin under din session kan du använda Zaptec App, Zaptec Portal eller, om tillämpligt, din eMobility-tjänsteleverantör. För mer teknisk information om MID-energimätaren, besök <https://zaptec.com/mid>.

Styra och övervaka laddstationen (Zaptec Portal)

I Zaptec Portal kan du logga in för att se alla dina laddstationer och alla de laddstationer för vilka du är registrerad användare. Om du är anläggningsägare kan du övervaka all förbrukning och du kan använda denna information till att fördela elkostnaden på ett rättvist sätt. Installatören eller anläggningsägaren måste lägga till dig som användare

för anläggningen för att du skall kunna se informationen.
Logga in och registrera dig som ny användare på <https://portal.zaptec.com>

Lägga till användare för anläggningen

Anläggningsägare kan lägga till anläggningsanvändare genom att gå in under «åtkomsttillstånd». Här kan nya användare för anläggningen läggas till och bjudas in samt användare tas bort från anläggningen. Detta förutsätter att autentisering (användarkontroll) är aktiverad på anläggningen.

Låsa laddkabeln till laddstationen

Laddkabeln kan låsas permanent till laddstationen, aktiveras via Zaptec-appen.

1. Logga in på Zaptec-appen (laddas ned från App Store/Google Play).
2. Gå till inställningar och välj önskad laddstation.
3. Knappa in PIN-kod för aktuell laddstation och aktivera Lås kabel till denna laddstation.

Inställning av ljusstyrka för statusindikator

- Logga in på Zaptec-appen.
- Klicka på kugghjulet överst till höger på appens förstasida
- Välj laddstation på vilken du vill ändra inställningar
- Knappa in PIN-koden för laddstationen
- Ljusstyrkan kan ställas in genom att justera knappen under «Ljusstyrka för statusindikator»

Avläsning felkoder

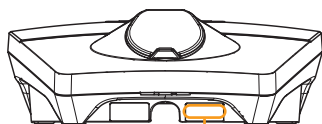
- Logga in på Zaptec-appen.
- Klicka på kugghjulet överst till höger på appens förstasida
- Välj laddstation från vilken du vill avläsa felkod
- När appen har anslutits till laddstationen kommer ett rött fält att visas, om laddaren har aktiva felkoder. Klicka på detta fält för att visa detaljer om de aktiva felkoderna.

3. Felsökning

Varningsmeddelande/Felmeddelande visas i Zaptec Portal /Zaptec App.

Problem	Lösning
Kan inte logga in på Zaptec Portal	Skapa nytt/Återupprätta lösenord genom att klicka på «Glömt lösenord»
Kan inte skapa anläggning/installation i Zaptec Portal	Kontakta Zaptec:s support för att få åtkomstillstånd att upprätta anläggningar.
Laddstationen är inte online, 4G-installation	<ul style="list-style-type: none"> • Se till att laddstationen inte täcks av något. • Testa täckningen på installationsområdet med din egen mobil. För noggrann mätning, använd mobil med Telenor SIM.
Laddstation är inte ansluten till nätet, PLC-anläggning	<ul style="list-style-type: none"> • Kontrollera nätverksinstallationen på router eller modem. • Kontrollera att internet fungerar genom att ansluta datorn direkt till router eller modem. • Inte konfigurerad. • Kontrollera att PLC-modul är installerad i enlighet med kopplingsschema och på samma L1 och N som laddstationen(erna)
Laddstation är inte ansluten till nätet, WiFi-anläggning	<ul style="list-style-type: none"> • Kontrollera nätverksinstallationen på router eller modem. • Kontrollera att internet fungerar genom att ansluta datorn direkt till router eller modem. • Koppla ur alla andra enheter som är anslutna till WiFi och som kan försämra bredbandshastigheten. • Kontrollera att SSID och lösenord för WiFi är korrekt. • Säkerställ att 2,4 GHz är aktiverat, så att Zaptec Pro får nätverksanslutning. Se Anläggnings-/Installationskrav på sidan 11. • Ange SSID och lösenord manuellt genom att välja «Annat» i nätverkslistan.
Laddningen startar inte	Kontrollera att användarprofilen har åtkomstillstånd att utföra laddning på laddstationen.
Laddstationen har ingen strömförsörjning	<ul style="list-style-type: none"> • Följ instruktionerna i avsnittet «Kontrollera säkringen som finns inuti laddstationen» • Kontrollera huvudsäkringen för anläggningen

Färg	Betydelse
INGET LJUS	Laddstationen har inte aktiverats i Zaptec Portal, inte fått strömförsörjning från strömkretsen, felanslutning/felkoppling eller så har det uppstått ett produktfel. Kontrollera uppströmsskydd i strömfördelningsskåpet.
LILA	Uppdateras inte under laddning.
GRÖN	<ul style="list-style-type: none"> Kontrollera att laddkabeln är ordentligt ansluten till laddstationen. Kontrollera om fordonet är konfigurerat för att omedelbart påbörja laddningen.
BLÅ	<ul style="list-style-type: none"> Kommunikation pågår mellan laddstation och fordon. Kontrollera om fordonet är konfigurerat för att omedelbart påbörja laddningen.
RÖD	<p>Blinkande rött ljus</p> <ul style="list-style-type: none"> Autentisering misslyckades – kontrollera att RFID-taggen/betalkortet är ansluten/anslutet till din användarprofil. Autentisering misslyckades – kontrollera i Zaptec Portal att din användare har åtkomstillstånd att ladda på gällande laddstation och/eller anläggning. <p>Kontinuerligt rött ljus</p> <ul style="list-style-type: none"> Koppla ur laddkabeln. Om statusindikatorn lyser grönt, så kan du ansluta laddkabeln igen. Om laddningen inte startar och indikatorn lyser rött igen, indikerar det att det kan ha uppstått ett tekniskt fel i kabel eller fordon. Om statusindikator-lampan inte lyser grönt efter att laddkabeln är urkopplad, skall du kontrollera säkringarna, såsom beskrivs i avsnittet «Kontrollera säkringarna som finns inuti laddstationen». Autentisering misslyckades – kontrollera att RFID-taggen/betalkortet är ansluten/anslutet till din användarprofil.



Serienummer
exempelvis: ZPR123456

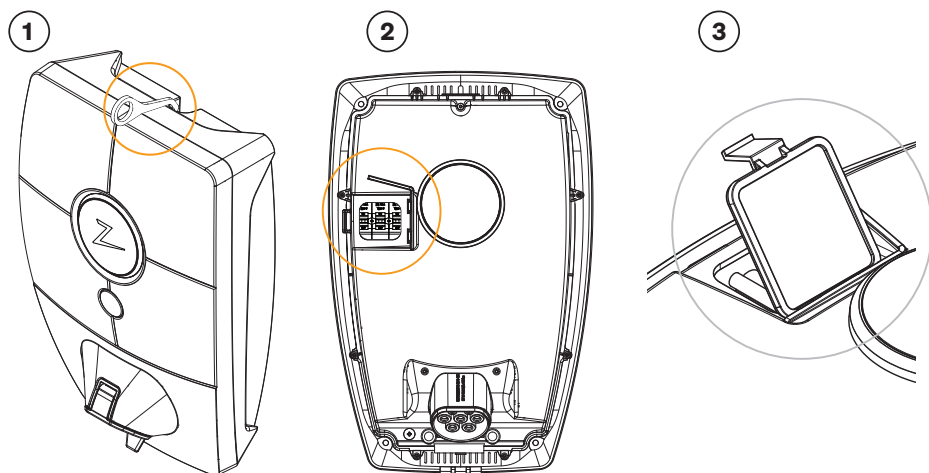


Om laddstationen har frånkopplats från elnätet, tar det cirka 2–3 minuter innan laddstationen startar upp igen.

4. Kontrollera kretsbrytaren i laddstationen

1. Ta bort frontkåpan genom att lossa den med specialverktyget SmartKey* som medföljde laddstationen, och ta av den.
2. Kontrollera att kretsbrytarna i kretsbrytarfönstret inte har löst ut (alla ska vara vända uppåt).
3. Om någon av kretsbrytarna har löst ut tar du bort kåpan över kretsbrytarna med hjälp av snäpplocket och för upp kretsbrytaren till det övre läget igen. Installera kåpan över kretsbrytarna enligt beskrivningen under punkt 2 och snäpp locket på plats.

* Om laddstationen är monterad på en Zaptec-kolonn måste du använda en SmartKey-kolonn (medföljer kolonnen) för att komma åt laddstationen.



5. Förvaring och underhåll

Produkten måste lagras på en sval och torr plats. Skyddskåpan måste alltid vara monterad när produkten inte används.

Följande periodiska underhåll rekommenderas:

- Torka av laddstationen med en fuktig trasa.
- Se till att det inte finns några främmande föremål i laddningskontakten.
- Kontrollera att det inte finns några fysiska skador på laddstationen.

Regelbundna kontroller bör göras på alla publika installationer i enlighet med lokal lagstiftning.

6. Garanti

Vi garanterar att enheten är fri från väsentliga fel och uppfyller gällande konsumentskyddslagar och bestämmelser i landet där produkten har köpts eller där konsumenten är bosatt. Mer information om dina rättigheter enligt konsumentlagstiftningen finns på zaptec.com/guarantee. Din Zaptec-produkt omfattas av fem (5) års garanti. Du hittar garantidokumentet på zaptec.com/guarantee

7. Støtte og reparasjon

Installationsteknikern/servicepartnern är alltid första supportlinjen vid problem med installationen. Zaptec rekommenderar starkt att installationsteknikern går återförsäljarkursen för Zaptec Pro före installation av ett Zaptec Pro-system. Om du är Zaptec-återförsäljare kontaktar du supporten enligt ditt återförsäljaravtal eller via zaptec.se.



Zaptec Charger AS inhämtar data från produkten via nätverket. Du hittar mer information om våra riktlinjer gällande integritet, persondata och sekretess på zaptec.com/guarantee.

Tillykke med dit køb af en Zaptec Pro!

Et norsk ladesystem. Systemet er kompatibelt med alle typer elnet og med alle typer genopladelige køretøjer.*

Zaptec Pro giver dig muligheden for at oplade dit køretøj sikkert, enkelt og effektivt. Ladestationen fordeler den tilgængelige strøm mellem et antal ladestationer – helt op til 30 ladestationer på samme sikring.

Brug din Zaptec Pro med et ladekort eller via vores Zaptec-app til at godkende brugere af installationen. Dette giver dig et overblik over din samlede opladningshistorik via vores cloud-baserede tjeneste (Zaptec Portal).

Når du køber Zaptec Pro, har du købt en ladestation, som regelmæssigt modtager softwareopdateringer fra vores cloud-baserede tjeneste for at sikre, at din oplader altid er opdateret.

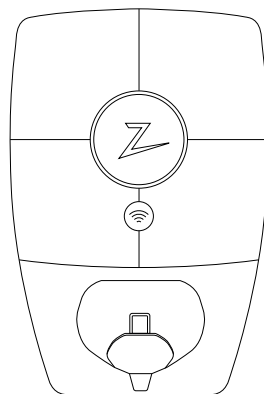
** Forudsat at køretøjet understøtter den pågældende type elnet.*



Denne brugervejledning er kun beregnet til brugere af ladestationen. Du kan finde information om, hvordan du konfigurerer og indstiller opladeren i vores installationsvejledning. Du finder den nyeste version af denne installationsvejledning på zaptec.com/support. Versionsnummeret for denne brugervejledning vises på sidste side.

Indholdsfortegnelse

1. Sikkerhedsanvisninger	39
2. Tekniske specifikationer	40
3. Fejlfinding	45
4. Kontroller afbryderen i ladestationen	47
5. Opbevaring og vedligeholdelse	47
6. Garanti	48
7. Support og reparationer	48



1. Sikkerhedsanvisninger



ADVARSEL!

Før dette produkt bruges eller vedligeholdes, er det vigtigt at læse følgende sikkerhedsinstrukser. Hvis du undlader at følge og implementere alle de specificerede anvisninger og procedurer, ugyldiggør du garantien, og Zaptec Charger AS er ikke ansvarlig for eventuelle erstatningskrav.

- ! Læs disse instruktioner omhyggeligt, og undersøg udstyret grundigt for at gøre dig bekendt med produktet inden brug.
- ! Dette udstyr må kun installeres, repareres og vedligeholdes af kvalificeret personale
- ! Alle gældende lokale, regionale og nationale bestemmelser skal følges ved installation, reparation og vedligeholdelse af udstyret.
- ! Brug ikke dette produkt, hvis det er beskadiget. Se afsnittet "Support og reparationer" for at få flere oplysninger.
- ! Brug ikke en forlængerledning på ladekablet.
- ! Rør ikke ved stikkene eller indsæt fremmedlegemer i dem.
- ! Indsæt ikke målestifter, ledninger eller andet i hurtigudløserstikket på ladestationen. Kontakt din elektriker vedrørende test.
- ! Adaptere er tilladt – en konverteringsadapter fra EVSE-stikket må kun anvendes, hvis det er angivet og godkendt af køretøjsfabrikanten eller EVSE-producenten.

2. Tekniske specifikationer

Elektrisk

Parameter	Testindstilling	Min.	Type	Maks.	Enhed
Strømforsbrug i standby			3		W
Maksimal opladningseffekt	TN 3 fase @ 32 A		22		kW
	TN 1 fase @ 32 A		7.4		
	IT 3 fase @ 32 A		12.7		
	IT 1 fase @ 32 A		7.4		

Tilslutningsmuligheder

Protokol	Understøttede standarder
4G	LTE kat. M1
Wi-Fi	802.11b/g/n (2,4 GHz)
Bluetooth	Bluetooth v5.1 (BR/EDR/BLE)
Powerline (PLC)	HomePlug Green PHY, 10 Mbit/s
Plug-and-Charge	Hardwareunderstøttelse af ISO15118
RFID	RFID ISO/IEC 14443 A (Type A, 13,56 MHz)

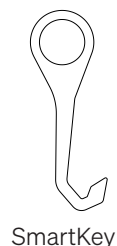
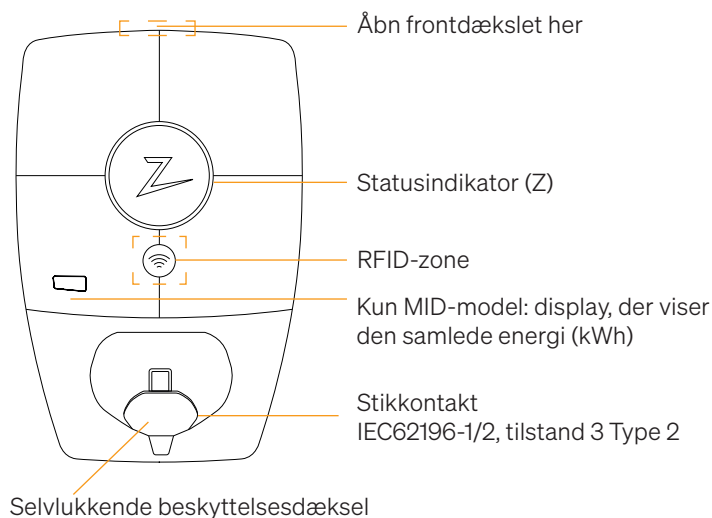
Integreret energimåler

Parameter	Testindstilling	Min.	Type	Maks.	Enhed
Præcision	Netspænding, strømstyrke og effektfaktor	-2		2	%
	Netspænding, strømstyrke, effektfaktor og temperatur	-3		3	%

Kun MID-model: integreret energimåler

Parameter	Værdi
Certificering	MID klasse B
Harmoniseret standard	EN 50470 -1, - 3
Notificeret organ	Justervesenet (0431) / NMI Certin (0122)
Nominel spænding	3 × 230/400 V
Nominel strømstyrke	0,25-5 (32) A
Optisk testoutput (skal være aktiveret i appen)	10000 imp/kWh

Zaptec Pro



Statusindikatorer på ladestationen

Status for ladestationen vises af statusindikatoren (Z) ved hjælp af følgende farver:

Farve	Kontinuerlig	Blinkende
GRØN	Klar til opladning Opladning fuldført	Godkendelse OK
BLÅ	Tilsluttet et køretøj og klar til opladning	Opladning er i gang
RØD	Fejl (se afsnittet Fejlfinding for at få flere oplysninger)	Godkendelse mislykkedes (se afsnittet Fejlfinding for at få flere oplysninger)
GUL		Systemstart Afventer Godkendelse Afventer Zaptec Portal Køretøj føjet til køen
LILLA		Opdatering af firmware

Kabel



Zaptec Pro har brug for en Type 2-ladestander, for at du kan oplade

Sådan startes opladningen

1. Kontroller, at statusindikatoren (Z-logo) lyser grønt.
2. Fjern/vip beskyttelsesdækslet for at få adgang til stikkontakten.
3. Tilslut opladningsstikket til Zaptec Pro.
4. Tilslut opladningsstikket til dit køretøj.
5. Statusindikatoren blinker blå, når opladningen er startet.



Ladestrømmen kan variere afhængigt af installationens kapacitet, tilkoblede biler og antallet af aktive ladestationer..

Sådan startes opladning med godkendelse

Opladning med godkendelse kræver, at du har registreret en brugerprofil via Zaptec Portal, og at din brugerprofil har fået tildelt adgang (via Zaptec Portal) til ladestationen/ anlægget. Ladekortet (RFID-nøgle) er knyttet til din bruger.

Du kan finde flere oplysninger om, hvordan du konfigurerer dette, i afsnittet ”Tilslutning af et ladekort til din bruger”.

Den anbefalede godkendelsesmetode er at bruge et ladekort.

Start opladning med et godkendelses-RFID-tag/ladekort:

1. Følg trin 1-4 i Sådan startes opladningen.
5. Statusindikatoren (Z-logo) blinker nu gult for at indikere, at den afventer godkendelse.
6. Hold ladekortet op til RFID-zonen; se illustrationen i afsnittet Zaptec Pro.
7. Statusindikatoren blinker grønt, når anmodningen er godkendt.
8. Statusindikatoren blinker blå, når opladningen er startet.

Hvis statusindikatoren blinker rødt, skal du se afsnittet Fejlfinding for at få flere oplysninger.

Start opladning med godkendelse til automatisk betalingsløsning/operatør

1. Brugeren skal oprettes/aktiveres for den pågældende betalingsløsning eller operatør.
2. Følg instruktionerne fra den relevante betalingsløsning/operatør for godkendelse og for at starte opladningen.

Sådan stoppes opladningen

1. Sådan afbryder du opladningsprocessen: Stop opladningen som anbefalet i bilens brugervejledning.
2. Tag ladebatteriet ud af køretøjet.
3. Tag ladebatteriet ud af ladestationen.
4. Placer beskyttelsesdækslet over ladepunktet for at begrænse eksponeringen for støv og regn.

Tilslutning af et ladekort til din bruger

Zaptec Pro understøtter de mest anvendte ladekort (Mifare Classic Type A). Hvis du har en visuelt læsbar kode, kan den tilføjes via Zaptec Portal eller ved at scanne ladekortet ved hjælp af ladestationen som beskrevet nedenfor. Din brugerprofil skal have adgang til den installation, du ønsker at bruge. Dette skal gøres af administrator/installationsejer i Zaptec Portal.

1. Download og åbn Zaptec-appen fra App Store eller Google Play.
2. Opret dig som bruger, og log på Zaptec-appen.
3. Gå til menuen, vælg brugerprofil, og tilføj et nyt ladekort. Følg derefter vejledningen i Zaptec-appen.

MID-model: integreret MID-certificeret energimåler

Zaptec Pro har en indbygget og integreret MID-certificeret energimåler. Din ladestation er individuelt kalibreret, for at sikre nøjagtige målinger, hver gang du starter en opladning. MID klasse B-certificering sikrer den samme nøjagtighed, som bruges i de fleste energimålere i hjemmet og rundt om i verden. Displayet viser den samlede energi, der er leveret i løbet af ladestationens levetid. For at se din sessionsenergi kan du bruge Zaptec-app, Zaptec Portal eller, hvis det er relevant, din eMobility serviceudbyder. Du kan finde flere tekniske oplysninger om MID-energimåleren på <https://zaptec.com/mid>.

Sådan overvåges ladestationen (Zaptec Portal)

Du kan logge ind via Zaptec Portal for at se alle dine ladestationer og alle de ladestationer, som du er registreret til at bruge. Hvis du er ejer af en installation, kan du overvåge al brug, og du kan bruge disse oplysninger til at dele elomkostningerne retfærdigt. Installationen eller ejeren af installationen skal tilføje dig som bruger af installationen, for at du kan se oplysningerne.

Log på eller registrer dig som ny bruger på <https://portal.zaptec.com>

Tilføjelse af brugere til installationen

Installationsejeren kan tilføje brugere af systemet ved at gå til 'adgang'. Her kan nye brugere tilføjes, inviteres eller fjernes fra systemet. Dette forudsætter, at godkendelse (brugerkontrol) er aktiveret på installationen.

Låsning af ladekablet til ladestationen

Ladekablet kan låses permanent til ladestationen. Denne funktion aktiveres via Zaptec-appen.

1. Log på Zaptec-appen (kan downloades fra App Store/Google Play).
2. Gå til Indstillinger, og vælg den ønskede ladestation.
3. Indtast PIN-koden for den pågældende ladestation, og aktiver låsekablet for denne ladestation.

Indstil lysstyrken for statusindikatoren

- Log på Zaptec-appen.
- Klik på tandhjulet i øverste højre hjørne af appens startside.
- Vælg den ladestation, du vil ændre indstillingerne for.
- Indtast PIN-koden til ladestationen
- Lysstyrken kan justeres ved hjælp af swipe-funktionen under 'Lysstyrke for statusindikator'.

Læsning af fejlkoder

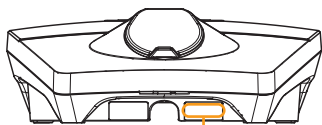
- Log på Zaptec-appen.
- Klik på tandhjulet i øverste højre hjørne af appens startside.
- Vælg den ladestation, du vil se fejlkoden for.
- Når appen har oprettet forbindelse til ladestationen, vises et rødt felt, når opladeren har aktive fejlkoder. Klik på dette felt for at få vist detaljerne om de aktive fejlkoder.

3. Fejlfinding

Advarsler/fejlmeldelser vises i Zaptec Portal/Zaptec-appen.

Problem	Løsning
Kan ikke logge på Zaptec Portal	Nulstil adgangskoden ved at klikke på knappen for glempt adgangskode.
Kan ikke oprette installationer i Zaptec Portal	Kontakt Zaptec Support for at få adgang til at oprette installationer.
Ladestationen er ikke online, 4G-installation	<ul style="list-style-type: none"> • Sørg for, at ladestationen ikke er dækket til af noget. • Test dækningen på installationsstedet ved hjælp af din egen mobil. Der skal bruges en mobil enhed med et Telenor SIM-kort for at få en nøjagtig måling.
Ladestationen er ikke online, PLC-installationer	<ul style="list-style-type: none"> • Kontroller netværksopsætningen på routeren eller modemmet. • Kontroller, at internettet fungerer ved at tilslutte computeren direkte til routeren eller modemmet. • Ikke konfigureret. • Kontroller, at PLC-modulet er installeret i overensstemmelse med kredsløbsdiagrammet og på samme L1 og N som ladestationen eller ladestationerne
Ladestationen er ikke online, WiFi-installationer	<ul style="list-style-type: none"> • Kontroller netværksopsætningen på routeren eller modemmet. • Kontroller, at internettet fungerer ved at tilslutte computeren direkte til routeren eller modemmet. • Afbryd andre enheder, der er forbundet til WiFi, som kan forsinke bredbåndshastigheden. • Kontrollér, at SSID'en og adgangskoden til WiFi er korrekte. • Sørg for, at 2,4 GHz er aktiveret, så Zaptec Pro kan finde en netværksforbindelse. Se Installationskrav, side 11. • Indtast SSID og adgangskode manuelt ved at vælge Andet på netværkslisten.
Opladningen starter ikke	Kontroller, at brugerprofilen har adgang til at oplade på denne ladestation.
Der leveres ingen strøm til ladestationen	<ul style="list-style-type: none"> • Følg vejledningen i afsnittet 'Kontrol af sikringerne i ladestationen' • Kontroller hovedsikringen i installationen

Farve	Betydning
INTET LYS	Ladestationen er ikke blevet aktiveret i Zaptec Portal, ingen strøm fra strømkredsløbet, forkert tilslutning eller produktfejl. Kontroller seriebeskyttelsen i fordelingskabet.
LILLA	Opdateres ikke under opladning.
GRØN	<ul style="list-style-type: none"> Kontroller, at ladekablet er sat korrekt i ladestationen. Kontroller, at køretøjet er konfigureret til at starte opladningen med det samme.
BLÅ	<ul style="list-style-type: none"> Kommunikationen finder sted mellem ladestationen og køretøjet. Kontroller, om køretøjet er konfigureret til at starte opladningen med det samme.
RØD	<p>Blinkende rødt lys</p> <ul style="list-style-type: none"> Godkendelse mislykkedes – Kontroller, at RFID-nøglen/ opladningskortet er tilsluttet din brugerprofil. Godkendelse mislykkedes — Tjek i Zaptec-portalen, at din bruger har adgang til at oplade på den pågældende ladestation og/eller installation. <p>Permanent rødt lys</p> <ul style="list-style-type: none"> Afbryd ladekablet. Hvis statusindikatoren lyser grønt, kan du tilslutte ladekablet igen. Hvis opladningen ikke starter, og indikatoren lyser rødt igen, kan der være en ladefejl på ladekablet eller køretøjet. Hvis statusindikatorlampen ikke bliver grøn, efter at ladekablet er fjernet, skal du kontrollere sikringerne som beskrevet i kapitlet ”Kontrol af sikringerne i ladestationen”. Godkendelse mislykkedes – Kontroller, at RFID-nøglen/ opladningskortet er tilsluttet din brugerprofil.



Serienummer
f.eks. ZPR123456

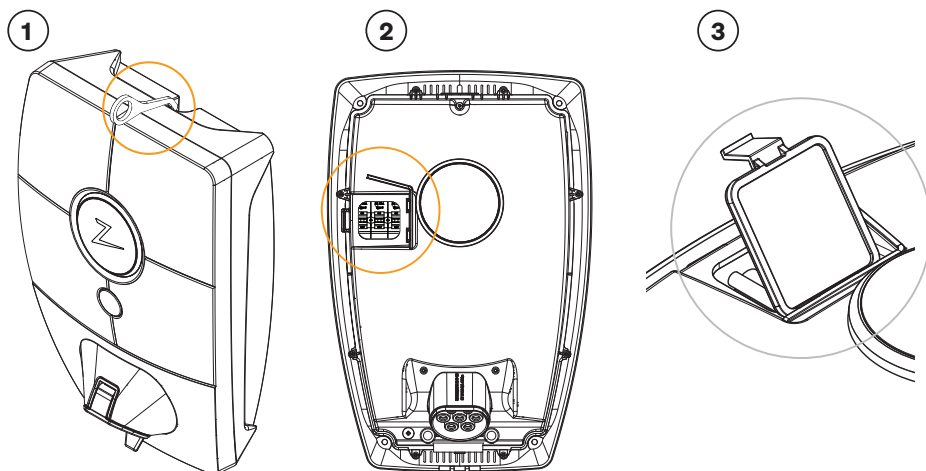


Hvis ladestationen er blevet afbrudt fra elnettet, tager det 2-3 minutter, før ladestationen starter igen.

4. Kontroller afbryderen i ladestationen

1. Fjern frontdækslet ved hjælp af SmartKey*-specialværktøjet, der følger med ladestationen, og tag frontdækslet af.
2. Kontroller, at afbryderne i strømafbrydervinduet ikke er udløst (de skal alle vende opad).
3. Hvis nogen af afbryderne er udløst, skal du fjerne afbryderdækslet ved hjælp af snapdækslet og vende afbryderne op igen. Monter afbryderdækslet som i trin to, og klik dækslet på plads.

* Hvis ladestationen er monteret på en Zaptec-kolonne, skal du bruge en SmartKey-kolonne (følger med kolonnen) for at få adgang til ladestationen.



5. Opbevaring og vedligeholdelse

Produktet skal opbevares på et svalt og tørt sted. Beskyttelsesdækslet skal altid være monteret, når produktet ikke er i brug.

Følgende periodiske vedligeholdelse anbefales:

- Tør ladeboksen af med en fugtig klud.
- Sørg for, at der ikke er placeret fremmedlegemer i ladestikket.
- Kontroller, at ladestationen ikke har udvendige fysiske skader.

Der bør foretages periodisk kontrol af alle offentligt tilgængelige installationer i overensstemmelse med lokale bestemmelser.

6. Garanti

Vi garanterer, at enheden er fri for materielle fejl og overholder gældende forbrugerbeskyttelseslove og bestemmelser i det land, hvor produktet blev købt, eller hvor forbrugeren har bopæl. Yderligere oplysninger om dine rettigheder i henhold til forbrugerlovgivningen findes på zaptec.com/guarantee. Dit Zaptec-produkt leveres med fem (5) års garanti. Garantidokumentet findes på zaptec.com/guarantee

7. Support og reparationer

Installationsteknikeren/servicepartnern er altid første supportlinje i tilfælde af problemer med installationen. Zaptec anbefaler kraftigt, at installationsteknikeren gennemfører forhandlerkurset for Zaptec Pro, før du installerer et Zaptec Pro-system. Hvis du er Zaptec-forhandler, skal du kontakte support som angivet i din forhandlerkontrakt eller via zaptec.com



Zaptec Charger AS indsamler data fra produktet via netværket. Yderligere oplysninger om vores retningslinjer for behandling af personlige oplysninger findes på zaptec.com/guarantee.

Herzlichen Glückwunsch zum Kauf einer Zaptec Pro!

Ein norwegisches Ladesystem. Das System ist mit allen Stromnetzen und mit allen Arten von wiederaufladbaren Fahrzeugen kompatibel.*

Mit Zaptec Pro können Sie Ihr Fahrzeug sicher, einfach und effizient aufladen. Die Ladestation verteilt den verfügbaren Ladestrom an alle Ladestationen.

Nutzen Sie Ihre Zaptec Pro mit einem Ladepass oder über unsere Zaptec App, um Benutzer in der Installation zu genehmigen. Über unseren cloudbasierten Service (Zaptec Portal) erhalten Sie so einen Überblick über Ihre Ladehistorie.

Beim Kauf von Zaptec Pro haben Sie eine Ladestation erworben, die regelmässig Softwareupdates von unserem cloudbasierten Dienst erhält, um sicherzustellen, dass Ihr Ladegerät immer aktualisiert wird.

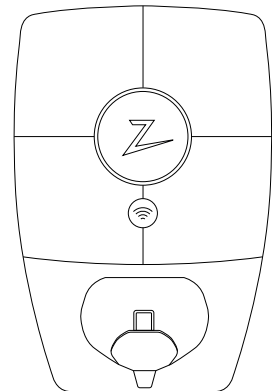
* Vorausgesetzt, das Fahrzeug unterstützt den betreffenden Stromnetztyp.



Diese Bedienungsanleitung ist nur für Benutzer der Ladestation gedacht. Informationen zum Konfigurieren und Einrichten des Ladegeräts finden Sie in unserem Installationshandbuch. Die neueste Version dieses Installationshandbuchs finden Sie auf zaptec.com/support. Die Versionsnummer für dieses Benutzerhandbuch steht auf der letzten Seite.

Inhaltsverzeichnis

1. Sicherheitshinweise	50
2. Technische Spezifikationen	51
3. Fehlerbehebung	56
4. Überprüfen des Leistungsschalters in der Ladestation	58
5. Lagerung und Wartung	58
6. Garantie	59
7. Support und Reparaturen	59



1. Sicherheitshinweise



WARNUNG!

Bevor Sie dieses Produkt verwenden oder warten, ist es wichtig, die folgenden Sicherheitshinweise zu lesen. Wenn Sie nicht alle spezifizierten Anweisungen und Verfahren befolgen und umsetzen, erlischt die Garantie und Zaptec Charger AS ist nicht haftbar für jegliche Schadensersatzansprüche.

- ! Lesen Sie diese Hinweise sorgfältig durch und prüfen Sie das Gerät, um sich vor der Verwendung mit dem Produkt vertraut zu machen.
- ! Dieses Gerät darf nur von qualifiziertem Personal installiert, repariert und gewartet werden.
- ! Bei der Installation, Reparatur und Wartung dieses Gerätes müssen alle geltenden lokalen, regionalen und nationalen Vorschriften eingehalten werden.
- ! Verwenden Sie dieses Produkt nicht, wenn es beschädigt ist. Weitere Informationen finden Sie im Abschnitt Support and Reparaturen.
- ! Verwenden Sie kein Verlängerungskabel für das Ladekabel.
- ! Berühren Sie die Stecker nicht und stecken Sie keine Fremdkörper hinein.
- ! Führen Sie keine Messstifte, Drähte oder andere Gegenstände in die Schnellverschlüsse der Ladestation ein. Wenden Sie sich zum Testen an Ihren Elektriker.
- ! Elektrotechnisch zugelassene und voll kompatible Adapter sind zulässig – Ein Umrüstadapter für EVSE-Stecker darf nur dann verwendet werden, wenn dies vom Fahrzeug- oder EVSE-Hersteller ausdrücklich spezifiziert und genehmigt wurde.

2. Technische Spezifikationen

Allgemeines

Parameter	Testbedingungen	Min.	Typ	Max.	Einheit
Stromverbrauch in Bereitschaft			3		W
Maximale Ladeleistung	TN, 3-phasig, 32 A		22		kW
	TN, 1-phasig, 32 A		7.4		
	IT, 3-phasig, 32 A (nur Norwegen)		12.7		
	IT, 1-phasig, 32 A (nur Norwegen)		7.4		

Konnektivität

Protokoll	Unterstützte Standards
4G	LTE Cat M1
WLAN	802,11 b/g/n (2,4 GHz)
Bluetooth	Bluetooth v5.1 (BR/EDR/BLE)
Powerline (PLC)	HomePlug Green PHY, 10 Mbit/s
Plug and charge	Hardwareunterstützung für ISO15118
RFID	RFID ISO/IEC 14443 A (Typ A, 13,56 MHz) ISO/IEC 15693 (Mifare classic, 13,56 MHz)

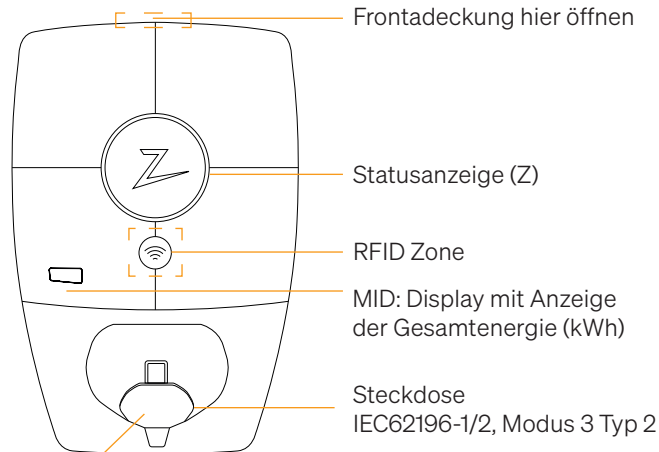
Integrierter Energiezähler

Parameter	Testbedingungen	Min.	Typ	Max.	Einheit
Genauigkeit	Netzspannung, Strom und Leistungsfaktor	-2		2	%
	Netzspannung, Strom, Leistungsfaktor und Temperatur	-3		3	%
Nenn-Kurzschluss-Ausschaltvermögen	Icn			10	kA

MID: integrierter Energiezähler

Parameter	Wert
Zertifizierung	MID Klasse B
Harmonisierte Norm	EN 50470-1, -3
Technisches Kontrollorgan	Justervesenet (0431) / NMI Certin (0122)
Nennspannung	3 × 230/400 V
Nennstrom	0,25-5 (32) A
Optischer Testausgang (muss in der App aktiviert sein)	10.000 Imp/kWh

Zaptec Pro



Selbstschliessende Schutzklappe

Statusanzeigen an der Ladestation

Der Status der Ladestation wird durch die Statusanzeige (Z) in den folgenden Farben angezeigt:

Farbe	Durchgehend	Blinkt
GRÜN	Bereit Ladevorgang abgeschlossen	Authentifizierung OK
BLAU	Mit einem Fahrzeug verbunden und bereit zum Laden	Laden
ROT	Fehler (weitere Informationen finden Sie im Abschnitt Fehlerbehebung)	Authentifizierung fehlgeschlagen (weitere Informationen finden Sie im Abschnitt Fehlerbehebung)
GELB		Inbetriebnahme des Systems Warten auf Authentifizierung Warten auf Zaptec Portal Fahrzeug zur Warteschlange hinzugefügt
LILA		Aktualisierung der Firmware

Kabel



Zaptec Pro benötigt eine Ladebuchse vom Typ 2, damit Sie aufladen können.

Beginn des Ladevorgangs

1. Überprüfen, ob die Statusanzeige (Z) grün leuchtet.
2. Schutzkappe abnehmen, um Zugang zur Ladebuchse zu erhalten.
3. Ladestecker in den Zaptec Pro einstecken.
4. Ladestecker in Ihr Fahrzeug einstecken.
5. Die Statusanzeige blinkt blau, sobald der Ladevorgang begonnen hat.



Der Ladestrom ist abhängig von der Kapazität Ihrer Installation und der Anzahl der aktiven Ladestationen.

Beginn des Ladevorgangs mit Authentifizierung

Für das Laden mit Authentifizierung müssen Sie ein Benutzerprofil über das Zaptec Portal registriert haben und Ihr Benutzerprofil (über das Zaptec Portal) muss Zugang zur Ladestation / Einrichtung erhalten haben. Der Ladepass ist mit Ihrem Benutzer verknüpft.

Weitere Informationen zum Einrichten finden Sie im Abschnitt Verbinden eines Ladepasses mit Ihrem Benutzer. Die empfohlene Authentifizierungsmethode ist die Verwendung eines Ladepasses.

Starten Sie das Laden mit einer Tag- / Ladekarte mit Authentifizierung:

1. Befolgen Sie die Schritte 1–4 in Beginn des Ladevorgangs.
5. Die Statusanzeige (Z) blinkt nun gelb, um anzuzeigen, dass sie auf die Authentifizierung wartet.
6. Halten Sie den Ladepass an die RFID-Zone; siehe Abbildung im Abschnitt Zaptec Pro.
7. Die Statusanzeige blinkt grün, sobald die Authentifizierung genehmigt wurde.
8. Die Statusanzeige blinkt blau, sobald der Ladevorgang begonnen hat.

Wenn die Statusanzeige rot blinkt, finden Sie weitere Informationen im Abschnitt Fehlerbehebung.

Starten des Ladevorgangs mit Authentifizierung über automatischen Zahlungsdienstleister / Ladenetzbetreiber

1. Der Benutzer muss angelegt und für den entsprechenden Zahlungsdienstleister / Ladenetzbetreiber aktiviert werden.
2. Befolgen Sie die Anweisungen des entsprechenden Zahlungsdienstleisters / Ladenetzbetreibers zur Authentifizierung und zum Beginn des Ladevorgangs.

Stoppen des Ladevorgangs

1. Unterbrechung des Ladevorgangs: Den Ladevorgang gemäss den Empfehlungen im Benutzerhandbuch des Fahrzeugs anhalten.
2. Den Ladestecker vom Fahrzeug trennen.
3. Den Ladestecker von der Ladestation trennen.
4. Die Schutzklappe auf der Ladebuchse anbringen, um diese vor Staub und Regen zu schützen.

Verbinden eines Ladepasses mit Ihrem Benutzer

Zaptec Pro unterstützt die am häufigsten verwendeten Ladepässe (Mifare Classic). Wenn Sie einen optisch lesbaren Code haben, kann dieser über das Zaptec Portal oder durch Scannen des Ladepasses über die Ladestation wie unten beschrieben hinzugefügt werden. Ihr Benutzerprofil muss Zugriff auf die Installation haben, die Sie verwenden möchten. Dies muss vom Administrator / Inhaber der Installation im Zaptec Portal erfolgen.

1. Zaptec App aus dem App Store / Google Play herunterladen.
2. Sich als Benutzer registrieren und in die Zaptec App einloggen.
3. Zum Menü gehen, Benutzerprofil auswählen und eine neue Ladekarte hinzufügen. Die Anweisungen in der Zaptec App befolgen.

MID-Modell: integrierter MID-zertifizierter Energiezähler

Zaptec Pro verfügt über einen integrierten MID-zertifizierten Energiezähler. Ihre Ladestation ist individuell kalibriert, um jederzeit genaue Messungen zu gewährleisten. Die MID-Zertifizierung der Klasse B gewährleistet die gleiche oder bessere Genauigkeit, wie sie den meisten Energiezählern für Haushalte auf der ganzen Welt garantiert wird. Das Display zeigt den Gesamtenergieverbrauch über die Lebensdauer der Ladestation an. Um den Verbrauch pro Ladevorgang abzulesen, können Sie die Zaptec App, das Zaptec Portal oder ggf. Ihren eMobility Service Provider nutzen. Für weitere technische Informationen über den MID-Energiezähler besuchen Sie bitte <https://zaptec.com/mid>.

Überwachung der Ladestation (Zaptec Portal)

Sie können sich über das Zaptec Portal einloggen, um eine Übersicht über all Ihre Ladevorgänge und Ladestationen zu erhalten, für die Sie registriert sind. Wenn Sie Inhaber einer Installation sind, können Sie die gesamte Nutzung überwachen und diese Informationen zur fairen Aufteilung von Stromkosten verwenden. Die Installation oder der Inhaber der Installation muss Sie als Benutzer der Installation hinzufügen, damit Sie die Informationen sehen können.

Melden Sie sich an oder registrieren Sie sich als neuer Benutzer unter <https://portal.zaptec.com>

Hinzufügen von Benutzern zur Installation

Der Inhaber der Installation kann unter ‚Berechtigungen‘ Benutzer zum System hinzufügen. Hier können neue Benutzer hinzugefügt, eingeladen oder aus dem System entfernt werden. Dies setzt voraus, dass die Authentifizierung (Benutzersteuerung) bei der Installation aktiviert wurde.

Verriegelung des Ladekabels an der Ladestation

Das Ladekabel kann dauerhaft an der Ladestation verriegelt werden. Diese Funktion wird über die Zaptec App aktiviert.

1. In der Zaptec App einloggen (kann im App Store / Google Play heruntergeladen werden).
2. Zu den Einstellungen gehen und die gewünschte Ladestation auswählen.
3. Den PIN-Code der entsprechenden Ladestation eingeben, Kabel verriegeln und für diese Ladestation aktivieren.

Festlegen der Beleuchtungsstärke für die Statusanzeige

- In die Zaptec App einloggen.
- Das Zahnrad oben rechts auf der Startseite der App anklicken.
- Die Ladestation auswählen, für die Sie die Einstellungen ändern möchten.
- Den PIN-Code für die Ladestation eingeben.
- Die Lichtstärke kann mit dem Schieberegler unter ‚Lichtstärke für Statusanzeige‘ eingestellt werden.

Lesen von Fehlercodes

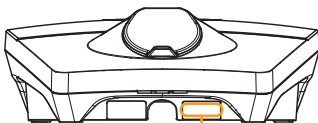
- In die Zaptec App einloggen.
- Das Zahnrad oben rechts auf der Startseite der App anklicken.
- Die Ladestation auswählen, für die Sie den Fehlercode anzeigen möchten.
- Sobald die App mit der Ladestation verbunden ist, wird ein rotes Feld angezeigt, wenn das Ladegerät aktive Fehlercodes hat. Klicken Sie auf dieses Feld, um die Details der aktiven Fehlercodes anzuzeigen.

3. Fehlerbehebung

Warnungen / Fehlermeldungen im Zaptec Portal / Zaptec App.

Problem	Lösung
Anmeldung im Zaptec Portal nicht möglich	Passwort durch Klick auf ‚Passwort vergessen‘ zurücksetzen.
Installation kann nicht über das Zaptec Portal erstellt werden	Zaptec Support kontaktieren, um Zugang zum Erstellen von Installationen zu erhalten.
Die Ladestation ist nicht online, 4G-Installation	<ul style="list-style-type: none"> • Stellen Sie sicher, dass die Ladestation durch nichts verdeckt ist. • Testen Sie mit Ihrem eigenen Mobiltelefon, ob am Aufstellungsort ausreichend Netzempfang vorhanden ist. Zur genauen Messung muss ein Mobiltelefon mit Telenor SIM verwendet werden.
Die Ladestation ist nicht online, SPS-Installation	<ul style="list-style-type: none"> • Netzwerkeinrichtung auf dem Router oder Modem überprüfen. • Überprüfen, ob das Internet funktioniert, indem der Computer direkt mit dem Router oder Modem verbunden wird. • Nicht konfiguriert • Überprüfen, ob das SPS-Modul gemäss dem Schaltplan und auf demselben L1 und N wie die Ladestation(n) installiert wurde.
Die Ladestation ist nicht online, WLAN-Installation	<ul style="list-style-type: none"> • Netzwerkeinrichtung auf dem Router oder Modem überprüfen. • Überprüfen, ob das Internet funktioniert, indem der Computer direkt mit dem Router oder Modem verbunden wird. • Andere Geräte trennen, ‚mit dem WLAN verbunden sind, die die Breitbandgeschwindigkeit verzögern können. • Überprüfen, ob die SSID und das Passwort für das WLAN korrekt sind. • Sicherstellen, dass 2,4 GHz aktiviert ist, damit Zaptec Pro eine Netzwerkverbindung erhält. Siehe Installationsanforderungen, Seite 11. • SSID und Passwort manuell eingeben, durch Auswahl von Sonstiges in der Netzwerkliste.
Ladevorgang beginnt nicht	Überprüfen, ob das Benutzerprofil Zugriff auf die Ladestation hat.
Ladestation wird nicht mit Strom versorgt	<ul style="list-style-type: none"> • Anweisungen im Abschnitt ‚Überprüfen der Sicherungen in der Ladestation‘ befolgen • Hauptsicherung in der Installation überprüfen

Farbe	Bedeutung
KEIN LICHT	Ladestation wurde im Zaptec Portal nicht aktiviert, kein Strom aus dem Stromkreis, falscher Anschluss oder Produktfehler. Seriellen Schutz im Verteilerschrank überprüfen.
LILA	Während des Ladevorgangs nicht aktualisiert.
GRÜN	<ul style="list-style-type: none"> Überprüfen, ob das Ladekabel korrekt in die Ladestation gesteckt wurde. Überprüfen, ob das Fahrzeug so konfiguriert wurde, dass der Ladevorgang sofort beginnt.
BLAU	<ul style="list-style-type: none"> Kommunikation findet zwischen der Ladestation und dem Fahrzeug statt. Überprüfen, ob das Fahrzeug so konfiguriert ist, dass der Ladevorgang sofort beginnt.
ROT	<p>Blinkendes rotes Licht</p> <ul style="list-style-type: none"> Authentifizierung fehlgeschlagen – Überprüfen, ob die RFID-Tag- / Ladekarte mit Ihrem Benutzerprofil verbunden ist. Authentifizierung fehlgeschlagen – Im Zaptec-Portal überprüfen, ob Ihr Benutzer Zugriff auf die Ladestation und / oder die betreffende Installation hat. <p>Ständiges rotes Licht</p> <ul style="list-style-type: none"> Ladekabel trennen. Wenn die Statusanzeige grün leuchtet, kann das Ladekabel wieder angeschlossen werden. Wenn das Laden nicht startet und die Anzeige wieder rot leuchtet, kann ein Ladefehler am Ladekabel oder Fahrzeug vorliegen. Wenn die Statusanzeige nach dem Trennen des Ladekabels nicht grün wird, müssen die Sicherungen überprüft werden, wie im Kapitel 'Überprüfen der Sicherungen in der Ladestation' beschrieben. Authentifizierung fehlgeschlagen – Überprüfen, ob die RFID-Tag- / Ladekarte mit Ihrem Benutzerprofil verbunden ist.



Seriennummer
z. B. ZPR123456

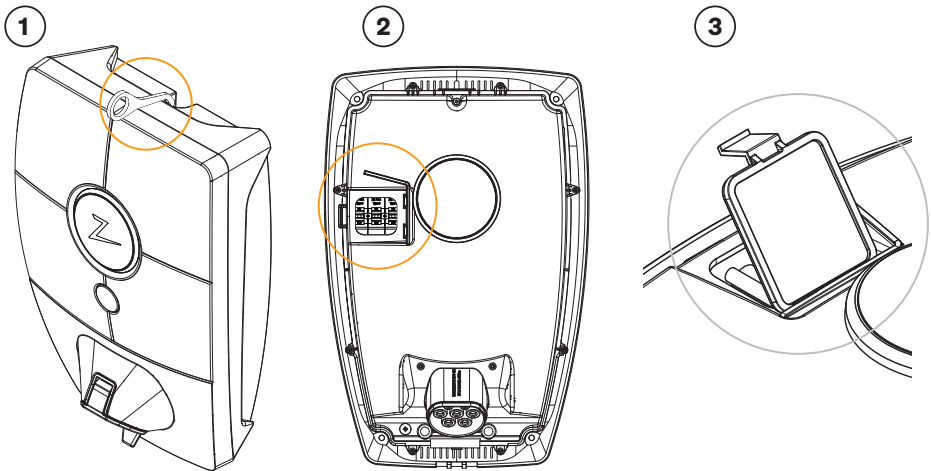


Wenn die Ladestation vom Stromnetz getrennt wurde, dauert es 2 bis 3 Minuten, bis diese wieder in Betrieb geht.

4. Überprüfen des Leistungsschalters in der Ladestation

1. Entfernen Sie die vordere Abdeckung mit dem SmartKey* Spezialwerkzeug, das mit der Ladestation geliefert wird, und nehmen Sie sie ab
2. Vergewissern Sie sich im Sichtfenster, dass die Leistungsschalter nicht ausgelöst haben (die Hebel sollten alle nach oben zeigen).
3. Wenn einer der Leistungsschalter ausgelöst wurde, lösen Sie die Schalter-Schutzabdeckung und schalten Sie die Leistungsschalter wieder ein. Passen Sie die Abdeckung der Leistungsschalter wie in Schritt zwei beschrieben an und lassen Sie die Schutzabdeckung einrasten.

* Wenn die Ladestation an einer Zaptec-Säule montiert ist, verschaffen Sie sich mit Säulen-SmartKey (im Lieferumfang der Säule enthalten) Zugang zur Ladestation.



5. Lagerung und Wartung

Das Gerät muss an einem kühlen, trockenen trockenen und vor Sonneneinstrahlung geschützten Ort aufbewahrt werden. Die Schutzabdeckung muss immer angebracht werden, wenn das Gerät nicht verwendet wird.

Folgende regelmäßige Wartung wird empfohlen:

- Wischen Sie die Ladestation mit einem feuchten Tuch ab.
- Stellen Sie sicher, dass sich keine Fremdkörper im Ladeanschluss befinden.
- Vergewissern Sie sich, dass die Ladestation keine externen Schäden aufweist.

Alle öffentlich zugänglichen Anlagen sollten in Übereinstimmung mit den lokalen Rechtsvorschriften regelmäßig überprüft werden. Verordnungen durchgeführt werden.

6. Garantie

Wir garantieren, dass das Gerät keine Materialfehler aufweist und den geltenden Verbraucherschutzgesetzen und -vorschriften in dem Land entspricht, in dem es gekauft wurde oder der Verbraucher seinen Wohnsitz hat. Informationen zum Datenschutz finden Sie unter zaptec.com/guarantee. Ihr Zaptec-Produkt wird mit einer Garantie von fünf (5) Jahren geliefert. Das Garantiedokument und die Garantiebedingungen finden Sie unter zaptec.com/guarantee

7. Support und Reparaturen

Unsere Installationstechniker/Servicepartner stehen Ihnen bei Problemen mit der Installation gerne hilfreich zur Seite. Zaptec empfiehlt allen Installationstechnikern dringend, eine Schulung für Zaptec Pro zu absolvieren, bevor sie Zaptec Pro-Systeme installieren. Als Zaptec-Händler können Sie jederzeit gemäß Ihrem Partnervertrag den Support kontaktieren oder sich an zaptec.com wenden.



Zaptec Charger AS sammelt Daten aus dem Produkt über das Netzwerk. Weitere Informationen zu unseren Datenschutzrichtlinien finden Sie unter zaptec.com/guarantee.

Nous vous remercions d'avoir fait l'acquisition d'une Zaptec Pro.

Un système de recharge norvégien. Ce système est compatible avec tous les réseaux électriques et avec tous les types de véhicules rechargeables.*

Zaptec Pro vous permet de recharger votre véhicule en toute sécurité, simplement et efficacement. La borne de recharge répartit le courant de charge disponible entre un certain nombre de bornes de recharge.

Utilisez votre Zaptec Pro avec une carte de recharge ou via notre application Zaptec pour autoriser l'accès aux utilisateurs. Vous obtiendrez ainsi un aperçu de votre historique de facturation via notre service sur le cloud (portail Zaptec).

Lorsque vous faites l'acquisition de Zaptec Pro, vous achetez une borne de recharge qui reçoit régulièrement des mises à jour logicielles de notre service sur le cloud afin de vous garantir que votre borne de recharge est toujours à jour.

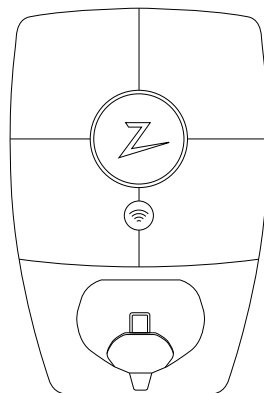
** À condition que le véhicule soit compatible avec le type de réseau électrique concerné.*



Ce manuel d'utilisation est destiné exclusivement aux utilisateurs de la borne de recharge. Pour en savoir plus sur la procédure de configuration et d'installation de la borne de recharge, nous vous invitons à consulter notre manuel d'installation. La version la plus récente de ce manuel d'installation est disponible sur zaptec.com/support. Le numéro de version de ce manuel d'utilisation est indiqué à la dernière page.

Table des matières

1. Consignes de sécurité	61
2. Caractéristiques techniques	62
3. Dépannage	67
4. Contrôlez les disjoncteurs de la borne de recharge	69
5. Stockage et entretien	69
6. Garantie	70
7. Assistance et réparations	70



1. Consignes de sécurité



AVERTISSEMENT !

Avant d'utiliser ou de procéder à l'entretien de ce produit, il est impératif de prendre connaissance des consignes de sécurité suivantes. La non-observation et la non-mise en œuvre de toutes les prescriptions et procédures annule toute garantie et libère la société Zaptec Charger AS de toute responsabilité et de toute réclamation.

- ! Nous vous invitons à lire attentivement et dans leur intégralité ces instructions et à examiner l'équipement afin de vous familiariser avec ce produit avant de l'utiliser.
- ! L'installation, la réparation et l'entretien de cet équipement ne doivent être confiés qu'à un personnel qualifié.
- ! Toutes les réglementations locales, régionales et nationales applicables doivent être respectées pour l'installation, la réparation et l'entretien de cet équipement.
- ! N'utilisez pas ce produit s'il présente des dommages. Reportez-vous à la section Assistance et Réparations pour obtenir plus d'informations.
- ! Il ne faut pas utiliser de rallonge pour le câble de recharge.
- ! Ne touchez pas aux fiches et n'y introduisez pas d'objets étrangers.
- ! N'insérez pas de broches de mesure, de fils ou tout autre objet dans le raccord rapide de la borne de recharge. Veuillez contacter votre électricien pour effectuer les tests.
- ! Les adaptateurs sont autorisés – Un adaptateur de ne doit être utilisé que s'il est spécifié et approuvé par le constructeur du véhicule ou le fabricant de la prise.

2. Caractéristiques techniques

Généralités

Paramètre	Condition de test	Min.	Type	Max.	Unités
Consommation en veille			3		W
Puissance de recharge maximale	TN triphasé @ 32 A		22		kW
	TN monophasé @ 32 A		7,4		
	IT triphasé @ 32 A (Norvège uniquement)		12,7		
	IT monophasé @ 32 A (Norvège uniquement)		7,4		

Connectivité

Protocole	Standards pris en charge
4G	LTE Cat M1
Wi-Fi	802.11b/g/n (2,4 GHz)
Bluetooth	Bluetooth v51 (BR/EDR/BLE)
Courants porteurs en ligne (CPL)	HomePlug Green PHY, 10 Mbit/s
Plug & charge	Compatibilité matérielle pour ISO15118
RFID	ISO/CEI 14443 A (Type A, 13,56 MHz) ISO/CEI 15693 (Mifare classic, 13,56 MHz)

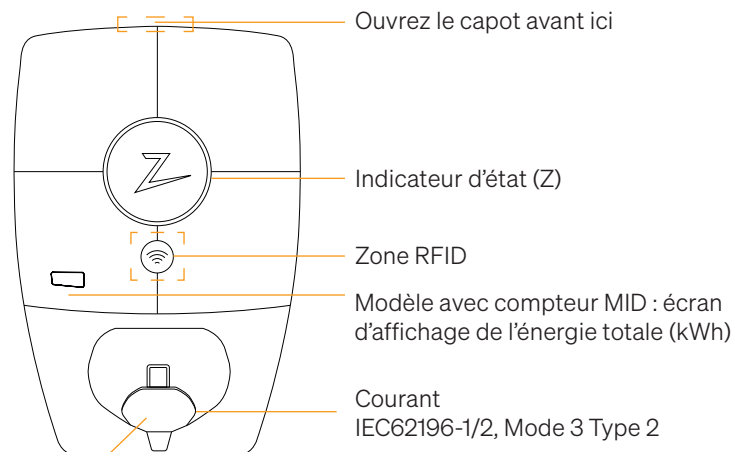
Compteur d'énergie intégré

Paramètre	Condition de test	Min.	Type	Max.	Unités
Précision	Tension de ligne, courant et facteur de puissance	-2		2	%
	Tension de ligne, courant, facteur de puissance et température	-3		3	%

Modèle avec compteur MID : compteur d'énergie intégré

Paramètre	Valeur
Certification	MID Classe B
Norme harmonisée	EN 50470 -1, - 3
Organisme notifié	Justervesenet (0431) / NMI Certin (0122)
Tension nominale	3 × 230/400 V
Courant nominal	0,25-5 (32) A
Sortie de test optique (doit être activée dans l'application)	10 000 imp/kWh

Zaptec Pro



Capuchon de protection à fermeture automatique

Indicateurs d'état sur la borne de recharge

L'état de la borne de recharge est indiqué par l'indicateur d'état (Z) au moyen des couleurs suivantes:

Couleur	Continu	Clignotant
VERT	Prêt Recharge terminée	Authentification OK
BLEU	Connecté à un véhicule et prêt à recharger	Recharge en cours
ROUGE	Erreur (pour en savoir plus, reportez-vous à la section Dépannage)	L'authentification a échoué (pour en savoir plus, reportez-vous à la section Dépannage)
JAUNE		Démarrage du système En attente d'authentification En attente du portail Zaptec Véhicule ajouté à la file d'attente
VIOLET		Mise à jour du firmware

Câble



Zaptec Pro requiert un connecteur de Type 2 pour que vous puissiez effectuer la recharge.

Comment démarrer la recharge

1. Vérifiez que l'indicateur d'état (Z) est allumé de couleur verte.
2. Soulevez le capuchon de protection pour accéder à la prise électrique.
3. Connectez le câble de recharge à votre véhicule.
4. Connectez le câble de recharge à la Zaptec Pro.
5. L'indicateur d'état clignote en bleu une fois que la recharge a démarré.



Le courant de charge peut varier en fonction de la capacité de l'installation et du nombre de bornes de recharge actives.

Comment démarrer la recharge avec l'authentification

Pour effectuer la recharge avec authentification, il est nécessaire que vous ayez enregistré un profil d'utilisateur via le portail Zaptec et que votre profil utilisateur ait eu accès (via le portail Zaptec) à la borne/l'installation de recharge. La carte de recharge est associée à votre profil utilisateur.

Pour en savoir plus sur la manière de configurer cette fonction, reportez-vous à la section Association d'une carte de recharge à votre profil d'utilisateur. Nous recommandons de privilégier la carte de recharge comme moyen d'authentification.

Démarrez la recharge avec un identifiant RFID/une carte de recharge d'authentification:

1. Suivez les étapes 1–4 dans Comment démarrer la recharge.
5. L'indicateur d'état (Z) clignote maintenant en jaune pour indiquer qu'il est en attente d'authentification.
6. Placez la carte de recharge dans la zone RFID ; reportez-vous à l'illustration de la section Zaptec Pro.
7. L'indicateur d'état clignote en vert une fois que l'authentification a été approuvée.
8. L'indicateur d'état clignote en bleu une fois que la recharge a démarré.

Si l'indicateur d'état clignote en rouge, reportez-vous à la section Dépannage pour en savoir plus.

Démarrer la recharge avec authentification complétée par la solution de paiement automatique ou de l'opérateur

1. L'utilisateur doit être créé/activé par la solution de paiement ou par l'opérateur concerné.
2. Suivez les instructions de la solution de paiement ou de l'opérateur concerné pour procéder à l'authentification et commencer la recharge.

Comment arrêter la recharge

1. Pour interrompre le processus de recharge : Arrêtez la recharge conformément aux recommandations du manuel d'utilisation de votre voiture.
2. Débranchez la prise de recharge du véhicule.
3. Débranchez la prise de recharge de la borne de recharge.
4. Placez le capuchon de protection sur la prise de recharge pour limiter l'exposition à la poussière et à la pluie.

Association d'une carte de recharge à votre profil d'utilisateur

Zaptec Pro prend en charge les cartes de recharge les plus couramment utilisées (Mifare Classic). Si vous disposez d'un code lisible visuellement, celui-ci peut être ajouté via le portail Zaptec ou en scannant la carte de recharge à l'aide de la borne de recharge comme décrit ci-dessous. Votre profil d'utilisateur doit vous permettre d'accéder à l'installation que vous souhaitez utiliser. Ceci doit être fait par l'administrateur/le propriétaire de l'installation dans le portail Zaptec.

1. Téléchargez l'application Zaptec dans App Store/Google Play.
2. Enregistrez-vous en tant qu'utilisateur et connectez-vous à l'application Zaptec.
3. Allez dans le menu, sélectionnez le profil d'utilisateur, puis ajoutez une nouvelle carte de recharge. Suivez ensuite les instructions dans l'application Zaptec.

Modèle MID : compteur d'énergie intégré certifié MID

Zaptec Pro dispose d'un compteur d'énergie intégré certifié MID. Votre borne de recharge est calibrée individuellement pour assurer des mesures précises à chaque fois. La certification MID classe B offre la même précision utilisée dans la plupart des compteurs d'énergie domestiques dans le monde. L'écran affiche l'énergie totale délivrée sur la durée de vie de la borne de recharge. Pour afficher l'énergie de votre session, vous pouvez utiliser la Zaptec App, le Zaptec Portal ou, si applicable, votre fournisseur de service eMobility. Pour plus d'informations techniques sur le compteur d'énergie MID, veuillez visiter <https://zaptec.com/mid>.

Comment superviser la borne de recharge (Portail Zaptec)

Vous pouvez vous connecter via le portail Zaptec pour consulter toutes vos bornes de recharge et toutes les bornes de recharge pour lesquelles vous êtes enregistrés en tant qu'utilisateur. Si vous êtes propriétaire d'une installation, vous pouvez superviser toutes les utilisations et utiliser ces informations pour répartir équitablement les coûts d'électricité. Le Gestionnaire ou le propriétaire de l'installation doit vous ajouter comme utilisateur de l'installation afin que vous puissiez consulter ces informations. Connectez-vous ou inscrivez-vous en tant que nouvel utilisateur sur <https://portal.zaptec.com>

Ajout d'utilisateurs à l'installation

Le propriétaire de l'installation peut ajouter des utilisateurs dans le système via la section 'accès'. On peut ici ajouter, inviter de nouveaux utilisateurs ou en retirer du système. Cela suppose que l'authentification (contrôle de l'utilisateur) a été activée sur l'installation.

Verrouillage du câble de recharge pour la borne de recharge

Il est possible de verrouiller en permanence le câble de recharge sur la borne de recharge. Cette fonctionnalité est activée via l'application Zaptec.

1. Connectez-vous à l'application Zaptec (peut être téléchargée sur App Store/Google Play).
2. Allez dans les paramètres et sélectionnez la borne de recharge souhaitée.
3. Saisissez le code PIN de la borne de recharge concernée, puis activez le verrouillage du câble pour cette borne de recharge.

Réglage de la luminosité de l'indicateur d'état

- Connectez-vous à l'application Zaptec.
- Cliquez sur le rouage dans le coin supérieur droit de la page d'accueil de l'application.
- Sélectionnez la borne de recharge dont vous souhaitez modifier les paramètres.
- Saisissez le code PIN de la borne de recharge
- On peut régler la luminosité à l'aide du curseur sous 'Luminosité de l'indicateur d'état'.

Lecture des codes d'erreur

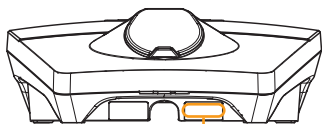
- Connectez-vous à l'application Zaptec.
- Cliquez sur le rouage dans le coin supérieur droit de la page d'accueil de l'application.
- Sélectionnez la borne de recharge pour laquelle vous souhaitez afficher le code d'erreur.
- Une fois que l'application s'est connectée à la borne de recharge, un champ rouge s'affiche lorsque des codes d'erreur sont actifs sur la borne de recharge. Cliquez sur ce champ pour afficher les détails des codes d'erreur actifs.

3. Dépannage


Les avertissements/messages d'erreur sont affichés dans le portail Zaptec/l'application Zaptec.

Problème	Solution
Impossible de se connecter au portail Zaptec	Réinitialisez le mot de passe en cliquant sur 'Mot de passe oublié'
Impossible de créer l'installation via le portail Zaptec	Contactez l'assistance Zaptec pour accéder à la création d'installations.
La borne de recharge n'est pas connectée, installation 4G	<ul style="list-style-type: none"> Assurez-vous que rien ne vienne couvrir la borne de recharge. Testez la couverture réseau sur le site d'installation à l'aide de votre propre téléphone mobile. Un téléphone mobile avec une carte SIM Telenor doit être utilisé pour une mesure précise.
La borne de recharge n'est pas connectée, installation PLC	<ul style="list-style-type: none"> Vérifiez la configuration du réseau sur le routeur ou le modem. Vérifiez qu'Internet fonctionne en branchant l'ordinateur directement au routeur ou au modem. Non configuré. Vérifiez que le module PLC a été installé conformément au schéma électrique et sur les mêmes L1 et N que la ou les bornes de recharge
La borne de recharge n'est pas connectée, installation Wi-Fi	<ul style="list-style-type: none"> Vérifiez la configuration du réseau sur le routeur ou le modem. Vérifiez qu'Internet fonctionne en branchant l'ordinateur directement au routeur ou au modem. Déconnectez d'autres appareils connectés au Wi-Fi qui peuvent retarder la vitesse du haut débit. Assurez-vous que la fréquence de 2,4 GHz est activée afin que Zaptec Pro obtienne une connexion réseau. Reportez-vous aux Conditions requises pour l'installation en page 11. Entrez manuellement le SSID et le mot de passe en sélectionnant Autre dans la liste des réseaux.
La recharge ne démarre pas	Vérifiez que le profil d'utilisateur a accès à la recharge sur la borne de recharge.
Aucune puissance n'est transmise à la borne de recharge	<ul style="list-style-type: none"> Suivez les instructions de la section 'Contrôle du disjoncteur dans la borne de recharge' Contrôle du disjoncteur principal de l'installation

Couleur	Signification
INDICATEUR ÉTEINT	La borne de recharge n'a pas été activée dans le portail Zaptec, aucune alimentation du circuit d'alimentation, connexion incorrecte ou produit défectueux. Vérifiez la protection série dans l'armoire de distribution.
VIOLET	Mise à jour possible uniquement si la borne n'est pas en charge.
VERT	<ul style="list-style-type: none"> Assurez-vous que le câble de recharge est correctement inséré dans la borne de recharge. Vérifiez que le véhicule est configuré pour autoriser un démarrage immédiat de la recharge.
BLEU	<ul style="list-style-type: none"> Communication en cours entre la borne de recharge et le véhicule. Vérifiez si le véhicule est configuré pour autoriser un démarrage immédiat de la recharge.
ROUGE	<p>Voyant rouge clignotant</p> <ul style="list-style-type: none"> Échec de l'authentification – Vérifiez que l'identifiant RFID/la carte de recharge est associé(e) à votre profil d'utilisateur. Échec de l'authentification – Vérifiez dans le portail Zaptec que votre profil d'utilisateur a accès à la recharge sur la borne de recharge et/ou l'installation concernée. <p>Voyant rouge allumé</p> <ul style="list-style-type: none"> Débranchez le câble de recharge. Si l'indicateur d'état passe au vert, rebranchez le câble de recharge. Si la recharge ne démarre pas et que le voyant s'allume de nouveau en rouge, cela peut signifier qu'il y a un défaut de charge sur le câble de recharge ou le véhicule. Si le voyant de l'indicateur d'état ne s'allume pas en vert après le débranchement du câble de recharge, vous devez contrôler les fusibles comme décrit dans le chapitre 'Contrôle des fusibles dans la borne de recharge'. Échec de l'authentification – Vérifiez que l'identifiant RFID/la carte de recharge est associé(e) à votre profil d'utilisateur.



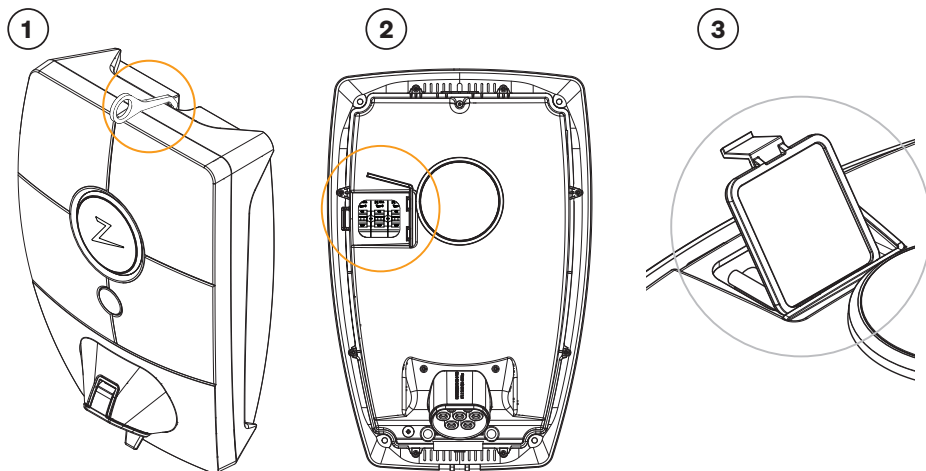
Numéro de série
par ex. ZPR123456

 Si la borne de recharge a été déconnectée du réseau électrique, 2-3 minutes sont nécessaires avant qu'elle ne redémarre.

4. Contrôlez les disjoncteurs de la borne de recharge

1. Retirez la façade avant à l'aide de l'outil spécial SmartKey* fourni avec la borne de recharge.
2. Vérifiez que le disjoncteur visible au travers de la trappe en haut à gauche ne soit déclenché (si correctement armé, en position vers le haut).
3. Si le disjoncteur est déclenché, retirez le couvercle de la trappe et réarmez le disjoncteur. Remplacez le couvercle de la trappe en le reclipant dans l'état correspondant à l'étape 2.

* Pour retirer le couvercle avant d'une borne de recharge montée sur une Colonne Zaptec, utilisez une SmartKey pour Colonne (fournie avec la colonne) pour accéder à la borne de recharge.



5. Stockage et entretien

Le produit doit être conservé dans un endroit frais et sec. Le couvercle de protection doit toujours être installé lorsque le produit n'est pas utilisé.

L'entretien régulier suivant est recommandé:

- Essuyez la borne de recharge avec un chiffon humide.
- Assurez-vous qu'il n'y a pas de corps étrangers dans le connecteur de charge.
- Vérifiez que la borne de recharge ne présente aucun dommage externe et physique.

Des contrôles périodiques devraient être effectués sur toutes les installations accessibles au public, conformément à la législation locale.

6. Garantie

Nous garantissons que cet équipement est exempt de défauts matériels et qu'il est conforme aux lois et réglementations en vigueur relatives à la protection des consommateurs dans le pays d'acquisition du produit ou de résidence du consommateur. Des informations complémentaires sur vos droits en vertu de la législation sur la protection des consommateurs sont disponibles sur zaptec.com/guarantee. Votre produit Zaptec est livré avec une garantie de cinq (5) ans. Veuillez trouver le document de garantie sur zaptec.com/guarantee

7. Assistance et réparations

Le technicien d'installation/partenaire de service est toujours la première ligne d'assistance en cas de problèmes avec l'installation. Zaptec recommande fortement au technicien d'installation de suivre la formation Zaptec Pro avant d'installer un système Zaptec Pro. Si vous êtes un distributeur Zaptec, contactez l'assistance comme indiqué dans votre contrat de distribution, ou via zaptec.com.



Zaptec Charger AS recueille des données sur le produit via le réseau. Des informations supplémentaires sur nos directives en termes de protection de la vie privée sont disponibles sur zaptec.com/guarantee.

Congratulazioni per l'acquisto di Zaptec Pro.

Sistema norvegese di ricarica. Il sistema è compatibile con tutte le reti elettriche e con tutti i tipi di veicoli ricaricabili.*

Zaptec Pro offre un modo semplice, sicuro ed efficiente per ricaricare il proprio veicolo. Le stazioni di ricarica distribuiscono la corrente di ricarica disponibile tra più stazioni di ricarica.

Zaptec Pro può essere utilizzato con un pass di ricarica o tramite la nostra app Zaptec per autorizzare gli utenti. Ciò consente di ottenere una cronologia delle proprie ricariche attraverso il nostro servizio basato su cloud (portale Zaptec).

Con Zaptec Pro viene fornita anche una stazione di ricarica che riceve regolarmente gli aggiornamenti del software dal nostro servizio cloud, in modo da mantenere sempre aggiornato il caricabatterie.

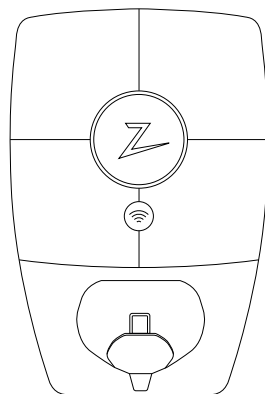
** A condizione che il veicolo supporti il tipo di rete elettrica in uso.*



Questo manuale d'uso è destinato esclusivamente agli utenti della stazione di ricarica. Per informazioni sulle modalità di configurazione del caricabatterie, consultare il nostro manuale di installazione. Per la versione più recente del manuale di installazione corrispondente, visitare il sito zaptec.com/support. Il numero della versione di questo manuale d'uso è riportato nell'ultima pagina.

Indice dei contenuti

1. Istruzioni di sicurezza	72
2. Specifiche tecniche	73
3. Risoluzione dei problemi	78
4. Controllare l'interruttore automatico nella stazione di ricarica	80
5. Stoccaggio e manutenzione	80
6. Garanzia	81
7. Assistenza e riparazioni	81



1. Istruzioni di sicurezza



AVVERTENZA!

Prima di utilizzare o effettuare la manutenzione di questo prodotto, è importante leggere le seguenti istruzioni di sicurezza. Il mancato rispetto e la mancata esecuzione di tutte le istruzioni e procedure prescritte invalidano la garanzia ed esonerano Zaptec Charger AS da qualsiasi rivendicazione di responsabilità.

- ! Leggere attentamente le presenti istruzioni ed esaminare l'apparecchio per acquisire familiarità con il prodotto prima dell'uso.
- ! Il presente apparecchio deve essere installato, riparato e sottoposto a manutenzione solo ed esclusivamente da personale qualificato.
- ! È obbligatorio rispettare tutti i regolamenti locali, regionali e nazionali applicabili quando si effettuano interventi di installazione, riparazione o manutenzione sul presente apparecchio.
- ! Non azionare il prodotto se danneggiato. Per maggiori informazioni consultare il capitolo Assistenza e riparazioni.
- ! Non utilizzare cavi di prolunga con il cavo di ricarica.
- ! Non toccare i contatti delle spine né introdurre corpi estranei al loro interno.
- ! Non inserire perni di misurazione, fili o altri oggetti nel connettore a rapida estrazione della stazione di ricarica. Rivolgersi all'elettricista per una prova.
- ! Adattatori ammessi: utilizzare un adattatore di conversione dalla spina EVSE solo se specificato e approvato dal produttore del veicolo o dal produttore EVSE.

2. Specifiche tecniche

Generalità

Parametro	Condizioni di prova	Min	Tipo	Max	Unità
Consumo energetico in standby			3		W
Massima potenza di ricarica	TN trifase @ 32 A		22		kW
	TN monofase @ 32 A		7.4		
	IT trifase @ 32 A (solo Norvegia)		12.7		
	IT monofase @ 32 A (solo Norvegia)		7.4		

Connettività

Protocollo	Standard supportati
4G	LTE Cat M1
Wi-Fi	802.11b/g/n (2,4 GHz)
Bluetooth	Bluetooth v5.1 (BR/EDR/BLE)
Powerline (PLC)	HomePlug Green PHY, 10 Mbit/s
Plug and Charge	Supporto hardware per ISO15118
RFID	RFID ISO/IEC 14443 A (Tipo A, 13,56 MHz) ISO/IEC 15693 (Mifare classic, 13,56 MHz)

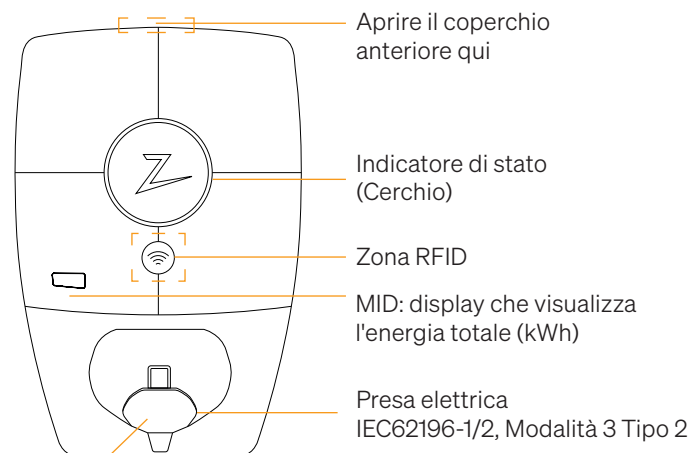
Contatore di energia integrato

Parametro	Condizioni di prova	Min	Tipo	Max	Unità
Precisione	Tensione di linea, corrente e fattore di potenza	-2		2	%
	Tensione di linea, corrente, fattore di potenza e temperatura	-3		3	%

MID: contatore di energia integrato

Parametro	Valore
Certificazione	MID Classe B
Standard armonizzato	EN 50470 -1, - 3
Organismo notificato	Justervesenet (0431) / NMI Certin (0122)
Tensione nominale	3 × 230/400 V
Corrente nominale	0,25-5 (32) A
Uscita test ottico (da attivare nell'app)	10000 imp/kWh

Zaptec Pro



SmartKey

Coperchio protettivo a chiusura automatica

Indicatori di stato della stazione di ricarica

Lo stato della stazione di ricarica è indicato dall'apposito indicatore (Z) secondo i seguenti colori:

Colore	Luce fissa	Luce intermittente
VERDE	Pronto Ricarica completata	Autenticazione OK
BLU	Collegata a un veicolo e pronta per la ricarica	Ricarica in corso
ROSSO	Errore (vedere il capitolo Risoluzione dei problemi per ulteriori dettagli)	Autenticazione non riuscita (vedere il capitolo Risoluzione dei problemi per ulteriori dettagli)
GIALLO		Avviamento del sistema In attesa di autenticazione In attesa del portale Zaptec Veicolo aggiunto alla coda
VIOLA		Aggiornamento del firmware

Cavo



Per poter effettuare la ricarica, è necessario un cavo con spina di tipo 2 per poter essere collegato alla stazione Zaptec Pro dotata di una presa di tipo 2.

Avviamento della ricarica (senza autenticazione)

1. Verificare che l'indicatore di stato (Cerchio) si accenda in verde.
2. Rimuovere il coperchio protettivo per accedere alla presa elettrica.
3. Collegare il connettore di ricarica a Zaptec Pro.
4. Collegare il connettore di ricarica al veicolo.
5. Quando la ricarica iniziata, l'indicatore di stato lampeggia in blu.



La corrente di ricarica può variare a seconda della capacità dell'impianto e del numero di stazioni di ricarica attive.

Avviamento della ricarica con autenticazione

Per effettuare la ricarica con autenticazione è necessario registrare tramite il portale Zaptec un profilo utente con accesso consentito (tramite il portale Zaptec) alla stazione/installazione di ricarica. Il pass di ricarica è collegato all'utente.

Per maggiori informazioni su come configurarlo, consultare il capitolo Collegamento di un pass di ricarica all'utente. Il metodo di autenticazione consigliato consiste nell'utilizzo del pass di ricarica.

Avviare la ricarica con etichetta RFID/scheda di ricarica per l'autenticazione:

1. Seguire i passaggi 1–4 nel capitolo Avviamento della ricarica.
5. A questo punto l'indicatore di stato (Cerchio) lampeggia in giallo per indicare che è in attesa di autenticazione.
6. Mantenere il pass di ricarica sollevato vicino alla zona RFID; vedere l'illustrazione nel capitolo Zaptec Pro.
7. Una volta approvata l'autenticazione, l'indicatore di stato lampeggia in verde.
8. Quando la ricarica iniziata, l'indicatore di stato lampeggia in blu.

Se l'indicatore di stato lampeggia in rosso, consultare il capitolo Risoluzione dei problemi per ulteriori indicazioni.

Avviamento della ricarica con autenticazione per la soluzione con pagamento automatico/operatore

1. Deve essere stato creato/attivato un utente per la soluzione di pagamento/operatore desiderati.
2. Per l'autenticazione e per iniziare la ricarica, seguire le istruzioni relative alla soluzione di pagamento/operatore prescelti.

Interruzione della ricarica

1. Per interrompere il processo di ricarica: Interrompere la ricarica come descritto nel manuale d'uso della propria vettura.
2. Scollegare il connettore di ricarica dal veicolo.
3. Scollegare il connettore di ricarica dalla stazione di ricarica.
4. Posizionare il coperchio protettivo sul punto di ricarica per limitare l'esposizione a polvere e pioggia.

Collegare la scheda RFID per l'autenticazione al sistema

Il modello Zaptec Pro supporta schede RFID più comunemente utilizzati (Mifare Classic). Se si dispone di un codice leggibile, questo può essere aggiunto attraverso il portale Zaptec o scansionando il pass di ricarica utilizzando la stazione di ricarica come descritto di seguito. Il profilo utente deve avere accesso all'installazione che si desidera utilizzare. Questa operazione deve essere eseguita dall'amministratore/proprietario dell'installazione dal portale Zaptec.

1. Scaricare l'app Zaptec da App Store/Google Play.
2. Registrarsi come utente e accedere all'app Zaptec.
3. Aprire il menu, selezionare il profilo utente e aggiungere una nuova carta di ricarica. Quindi seguire le istruzioni nell'app Zaptec.

Modello MID: contatore di energia integrato certificato MID

Zaptec Pro è dotato di un contatore di energia integrato certificato MID. La tua stazione di ricarica è calibrata singolarmente per garantire misure sempre accurate. La certificazione MID classe B offre la stessa accuratezza della maggior parte dei contatori di energia domestici al mondo. Il display mostra l'energia totale erogata nell'arco della vita utile della stazione di ricarica. Per visualizzare l'energia della tua sessione, è possibile usare l'App Zaptec, il Zaptec Portal o, se applicabile, il tuo fornitore di servizi di eMobility. Per ulteriori informazioni tecniche sul contatore di energia MID, visitare il sito <https://zaptec.com/mid>.

Monitoraggio della stazione di ricarica (portale Zaptec)

È possibile accedere tramite il portale Zaptec per visualizzare le proprie stazioni di ricarica e tutte le stazioni di ricarica presso cui si è registrati come utenti. Il proprietario di un'installazione può monitorare tutti gli utilizzi e usare questa informazione per condividere equamente i costi dell'elettricità. Per poter visualizzare questa informazione è necessario essere aggiunti come utente dell'installazione dall'installazione stessa o dal suo proprietario. Per accedere o registrarsi come nuovo utente collegarsi al sito <https://portal.zaptec.com>

Aggiunta di utenti all'installazione

Il proprietario dell'installazione può aggiungere utenti del sistema andando su 'accesso'. Qui è possibile aggiungere, invitare o rimuovere nuovi utenti dal sistema. A tal fine si presuppone nell'installazione sia stata attivata l'autenticazione (controllo utenti).

Blocco del cavo di ricarica alla stazione di ricarica

Il cavo di ricarica può essere bloccato in modo permanente alla stazione di ricarica. Questa funzione si attiva tramite l'app Zaptec o direttamente sul portale.

1. Accedere all'app Zaptec (scaricabile da App Store/Google Play).
2. Aprire le impostazioni e selezionare la stazione di ricarica desiderata.
3. Digitare il codice PIN della stazione di ricarica desiderata e attivare il blocco del cavo per questa stazione.

Impostazione dell'intensità di illuminazione dell'indicatore di stato

- Accedere all'app Zaptec.
- Fare clic sull'icona a forma di ingranaggio nell'angolo in alto a destra della home page dell'app.
- Selezionare la stazione di ricarica di cui si desidera modificare le impostazioni.
- Digitare il codice PIN della stazione di ricarica.
- L'intensità dell'illuminazione è regolabile per mezzo del cursore sotto 'Lighting strength for status indicator' (Intensità dell'illuminazione dell'indicatore di stato).

Significato dei codici di errore

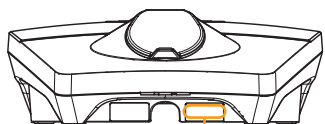
- Accedere all'app Zaptec.
- Fare clic sull'icona a forma di ingranaggio nell'angolo in alto a destra della home page dell'app.
- Selezionare la stazione di ricarica di cui si desidera visualizzare il codice di errore.
- Dopo che l'app si è collegata alla stazione di ricarica, viene visualizzato un campo rosso quando il caricabatterie ha codici di errore attivi. Fare clic su questo campo per visualizzare i dettagli dei codici di errore attivi.

3. Risoluzione dei problemi

Gli avvisi/messaggi di errore vengono visualizzati nel portale Zaptec/app Zaptec.

Problema	Soluzione
Soluzione	Reimpostare la password facendo clic su 'Forgotten Password' (Password dimenticata).
Impossibile creare l'installazione tramite il portale Zaptec.	Contattare l'Assistenza Zaptec per ottenere l'accesso alla creazione di installazioni.
La stazione di ricarica non è online, installazione 4G.	<ul style="list-style-type: none"> • Assicurarsi che la stazione di ricarica non sia coperta da nessun elemento. • Testare la copertura nel luogo di installazione utilizzando il proprio cellulare. Per una misurazione accurata, utilizzare un cellulare con SIM Telenor.
La stazione di ricarica non è online, installazione PLC.	<ul style="list-style-type: none"> • Controllare la configurazione di rete sul router o sul modem. • Verificare il funzionamento di Internet collegando il computer direttamente al router o al modem. • Non configurato. • Verificare che il modulo PLC sia stato installato in conformità con lo schema del circuito e sugli stessi L1 e N delle stazioni di ricarica.
La stazione di ricarica non è online, installazione WiFi.	<ul style="list-style-type: none"> • Controllare la configurazione di rete sul router o sul modem. • Verificare il funzionamento di Internet collegando il computer direttamente al router o al modem. • Scollegare eventuali altri dispositivi connessi al WiFi che possono ritardare la velocità della banda larga. • Verificare che l'SSID e la password del WiFi siano corretti. • Assicurarsi che l'opzione 2.4 GHz sia attivata in modo da ottenere la connessione di rete di Zaptec Pro. Vedere Requisiti di installazione, a pag. 11. • Immettere manualmente l'SSID e la password selezionando Other (Altro) nell'elenco di reti.
La ricarica non si avvia.	Verificare che il profilo utente abbia accesso alla carica sulla stazione di ricarica.
La stazione di ricarica non riceve alimentazione.	<ul style="list-style-type: none"> • Seguire le istruzioni nel capitolo Controllo dei fusibili nella stazione di ricarica. • Controllare il fusibile principale dell'installazione.

Colore	Significato
NESSUNA LUCE	La stazione di ricarica non è stata attivata nel Portale Zaptec, nessuna alimentazione dal circuito di alimentazione, connessione errata o guasto del prodotto. Controllare la protezione seriale nell'armadio di distribuzione.
LIOLA	Non aggiornato durante la ricarica.
VERDE	<ul style="list-style-type: none"> • Verificare che il cavo di ricarica sia stato inserito correttamente nella stazione di ricarica. • Verificare che il veicolo sia stato configurato per avviare immediatamente la ricarica.
BLU	<ul style="list-style-type: none"> • È in corso la comunicazione tra la stazione di ricarica e il veicolo. • Verificare che il veicolo sia stato configurato per avviare immediatamente la ricarica.
ROSSO	<p>Luce rossa intermittente</p> <ul style="list-style-type: none"> • Autenticazione non riuscita: verificare che l'etichetta RFID/carta di ricarica sia collegata al profilo utente. • Autenticazione non riuscita: verificare nel portale Zaptec che l'utente sia abilitato alla ricarica presso la stazione e/o l'installazione in questione. <p>Luce rossa fissa</p> <ul style="list-style-type: none"> • Scollegare il cavo di ricarica. Se l'indicatore di stato si accende in verde, è possibile collegare di nuovo il cavo di ricarica. Se la ricarica non si avvia e l'indicatore si accende nuovamente in rosso, è possibile che vi sia un errore di ricarica da parte del cavo o del veicolo. • Se la spia dell'indicatore di stato non diventa verde dopo che il cavo di ricarica è stato scollegato, è necessario controllare i fusibili come descritto nel capitolo Controllo dei fusibili della stazione di ricarica. • Autenticazione non riuscita: verificare che l'etichetta RFID/carta di ricarica sia collegata al profilo utente.



Numero di serie
per es. ZPR123456

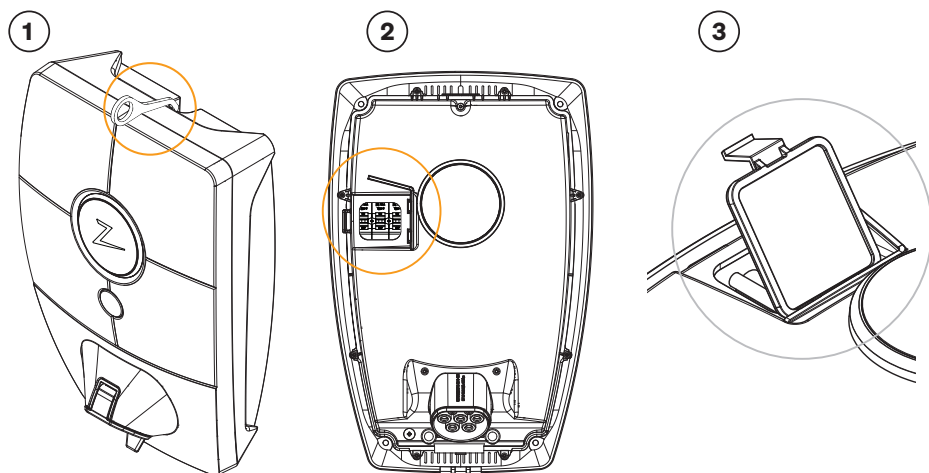


Se la stazione di ricarica è stata scollegata dalla rete elettrica, saranno necessari 2-3 minuti prima che la stazione di ricarica si riavvii.

4. Controllare l'interruttore automatico nella stazione di ricarica

1. Rimuovere il coperchio anteriore utilizzando l'utensile speciale (SmartKey*) in dotazione con la stazione di ricarica.
2. Verificare che l'interruttori automatici nella finestra dell'interruttore non sia scattato (deve essere rivolto verso l'alto).
3. Se l'interruttori automatico è scattato, rimuovere il coperchio dell'interruttore usando il coperchio a scatto e spingere nuovamente verso l'alto l'interruttori automatico. Montare il coperchio dell'interruttore automatico come nel passo due e agganciare il coperchio in posizione.

*Se la stazione di ricarica è montata su una colonnina Zaptec, è necessario utilizzare la SmartKey per colonnina (fornita con la colonnina) per accedere alla stazione di ricarica.



5. Stoccaggio e manutenzione

Conservare il prodotto in un luogo fresco e asciutto. La copertura protettiva deve essere sempre montata quando il prodotto non è in uso.

Si raccomandano i seguenti interventi di manutenzione periodica:

- Pulire la stazione di ricarica con un panno umido.
- Verificare che non vi siano oggetti estranei nel connettore di ricarica.
- Verificare che la stazione di ricarica non presenti danni fisici esterni.

Eseguire i controlli periodici su tutti gli impianti accessibili al pubblico, in conformità con la legislazione locale.

6. Garanzia

Garantiamo che il presente dispositivo è esente da difetti del materiale ed è conforme alle normative e ai regolamenti in materia di tutela dei consumatori in vigore nel paese di acquisto o di residenza. Maggiori informazioni sui diritti concessi dalla legge sulla tutela del consumatore sono riportate all'indirizzo zaptec.com/guarantee. Il prodotto Zaptec viene fornito con una garanzia di cinque (5) anni. Il documento della garanzia è disponibile su zaptec.com/guarantee

7. Assistenza e riparazioni

Il tecnico di installazione/partner di assistenza è sempre la prima linea di assistenza in caso di problemi con l'installazione. Zaptec consiglia al tecnico di installazione di frequentare il corso per rivenditori di Zaptec Pro prima di installare un sistema Zaptec Pro. I rivenditori Zaptec dovranno contattare l'assistenza come indicato nel loro contratto di distribuzione o tramite zaptec.com



Zaptec Charger AS raccoglie dati dal prodotto tramite la rete. Per maggiori informazioni sulle nostre linee guida sulla privacy consultare l'indirizzo zaptec.com/guarantee.

Gefeliciteerd met uw aankoop van een Zaptec Pro!

Een Noors oplaadsysteem. Het systeem is compatibel met alle elektriciteitsnetten en met alle soorten oplaadbare voertuigen.*

De Zaptec Pro stelt u in staat om uw voertuig veilig, eenvoudig en efficiënt op te laden. Het laadstation verdeelt de beschikbare laadstroom over een aantal laadstations.

Gebruik uw Zaptec Pro met een laadpas of via onze Zaptec-app om gebruikers in de installatie goed te keuren. Dit geeft u een overzicht van uw laadgeschiedenis via onze cloudservice (Zaptec Portal).

Wanneer u een Zaptec Pro koopt, koopt u daarmee een laadstation dat regelmatig software-updates van onze cloudservice ontvangt, wat ervoor zorgt dat uw oplader up-to-date is.

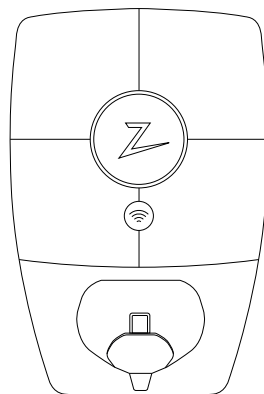
** Op voorwaarde dat het voertuig het betreffende type elektriciteitsnet ondersteunt.*



Deze gebruikershandleiding is uitsluitend bedoeld voor gebruikers van het laadstation. Zie onze installatiehandleiding voor informatie over het configureren en instellen van de lader. De nieuwste versie van deze installatiehandleiding vindt u op zaptec.com/support. Het versienummer voor deze gebruikershandleiding staat op de laatste pagina.

Inhoudsopgave

1. Veiligheidsvoorschriften	83
2. Technische specificaties	84
3. Probleemoplossing	89
4. Controleer de stroomonderbreker in het laadstation	91
5. Opslag en onderhoud	91
6. Garantie	92
7. Support en reparaties	92



1. Veiligheidsvoorschriften



WAARSCHUWING!

Lees onderstaande veiligheidsinstructies door alvorens dit product te gebruiken of te onderhouden. Als u niet alle gespecificeerde instructies en procedures volgt en uitvoert, vervalt de garantie en is Zaptec Charger AS niet langer aansprakelijk voor eventuele schadeclaims.

- ! Lees deze instructies zorgvuldig door en bestudeer de apparatuur om het product vóór gebruik te leren kennen.
- ! Deze apparatuur mag uitsluitend geïnstalleerd, gerepareerd en onderhouden worden door gekwalificeerd personeel.
- ! Alle toepasselijke lokale, regionale en nationale voorschriften moeten worden nagevolgd bij het installeren, repareren en onderhouden van deze apparatuur.
- ! Gebruik dit product niet als het beschadigd is. Zie de paragraaf Support en Reparaties voor meer informatie.
- ! Gebruik geen verlengsnoer met de laadkabel.
- ! Raak de stekkers niet aan en steek er geen vreemde voorwerpen in.
- ! Plaats geen meetpennen, draden of iets anders in de snelkoppeling op het laadstation. Neem voor testen contact op met uw elektriciën.
- ! Adapters zijn toegestaan – Een conversieadapter van de EVSE-stekker mag alleen worden gebruikt als deze is gespecificeerd en goedgekeurd door de voertuigfabrikant of EVSE-producent.

2. Technische specificaties

Algemeen

Parameter	Testconditie	Min.	Type	Max.	Eenheid
Stroomverbruik in stand-by			3		W
Maximaal laadvermogen	TN 3 fasen @ 32 A		22		kW
	TN 1 fase @ 32 A		7.4		
	IT 3 fasen @ 32 A (Alleen Noorwegen)		12.7		
	IT 1 fase @ 32 A (Alleen Noorwegen)		7.4		

Connectiviteit

Protocol	Ondersteunde standaarden
4G	LTE Cat M1
Wifi	802.11b/g/n (2.4 GHz)
Bluetooth	Bluetooth v5.1 (BR/EDR/BLE)
Powerline (PLC)	HomePlug Green PHY, 10 Mbit/s
Aansluiten en opladen	Hardware-ondersteuning voor ISO15118
RFID	RFID ISO/IEC 14443 A (Type A, 13.56 MHz) ISO/IEC 15693 (Mifare Classic, 13.56 MHz)

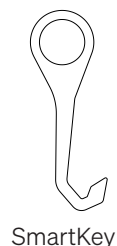
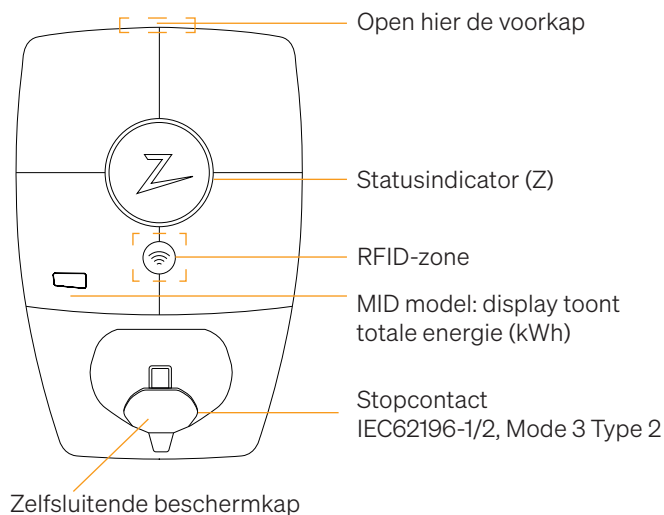
Geïntegreerde RCCB

Parameter	Testconditie	Min.	Type	Max.	Eenheid
Nauwkeurigheid	Netspanning, stroom en arbeidsfactor	-2		2	%
	Netspanning, stroom, arbeidsfactor en temperatuur	-3		3	%

MID model: geïntegreerde energiemeter

Parameter	Waarde
Certificaat	MID Klasse B
Geharmoniseerde norm	NEN-EN 50470-1, - 3
Aangemelde instantie	Justervesenet (0431) / NMI Certin (0122)
Nominale spanning	3 × 230/400 V
Nominale stroom	0,25-5 (32) A
Optische testuitgang (moet worden geactiveerd in de app)	10000 imp/kWh

Zaptec Pro



Statusindicatoren op het laadstation

De status van het laadstation wordt door de statusindicator (Z) weergegeven met behulp van de volgende kleuren:

Kleur	Onafgebroken	Knipperend
GROEN	Gereed Opladen voltooid	Authenticatie OK
BLAUW	Aangesloten op een voertuig en klaar om op te laden	Bezig met opladen
ROOD	Fout (zie de paragraaf Probleemoplossing voor meer informatie)	Authenticatie mislukt (zie de paragraaf Probleemoplossing voor meer informatie)
GEEL		Het systeem start op In afwachting van authenticatie In afwachting van Zaptec Portal Voertuig toegevoegd aan wachtrij
PAARS		Firmware wordt bijgewerkt

Kabel



De Zaptec Pro heeft een Type 2-laadpunt nodig om u te kunnen laten opladen

Hoe start u met opladen

1. Controleer of de statusindicator (Z) groen verlicht is.
2. Verwijder de beschermkap om toegang te krijgen tot het stopcontact.
3. Bevestig de laadkoppeling aan de Zaptec Pro.
4. Bevestig de laadkoppeling aan uw voertuig.
5. De statusindicator knippert blauw zodra het opladen is gestart.



De laadstroom kan variëren afhankelijk van de capaciteit van de installatie en het aantal actieve laadstations.

Hoe laadt u op met authenticatie

Opladen met authenticatie vereist dat u een gebruikersprofiel hebt geregistreerd via de Zaptec Portal en dat uw gebruikersprofiel (via de Zaptec Portal) toegang heeft tot het laadstation/de faciliteit. De laadpas is gekoppeld aan uw gebruiker.

Zie de paragraaf Een laadpas aansluiten op uw gebruiker voor meer informatie over het instellen hiervan. De aanbevolen authenticatiemethode is het gebruik van een laadpas.

Begin met opladen met een RFID-authenticatie-tag/laadkaart:

1. Volg stap 1–4 in Hoe start u met opladen.
5. De statusindicator (Z) knippert nu geel om aan te geven dat deze in afwachting is van authenticatie.
6. Hold ladebrikke inntil RFID-sone, se illustrasjon i avsnittet Zaptec Pro.
7. De statusindicator knippert groen zodra de authenticatie is goedgekeurd.
8. De statusindicator knippert blauw zodra het opladen is gestart.

Zie de paragraaf Probleemoplossing voor meer informatie als de statusindicator rood knippert.

Beginnen met opladen met authenticatie voor automatische betalingsoplossing/operator

1. De gebruiker moet worden aangemaakt/geactiveerd voor de betreffende betalingsoplossing/operator.
2. Volg de instructies van de toepasselijke betalingsoplossing/operator voor authenticatie en beginnen met opladen.

Hoe stopt u met opladen

1. Het laadproces onderbreken: Stop met opladen als aanbevolen in de gebruikershandleiding van uw auto.
2. Neem de laadkoppeling los van het voertuig.
3. Neem de laadkoppeling los van het laadstation.
4. Plaats de beschermkap over het laadpunt om de blootstelling aan stof en regen te beperken.

Een laadpas aansluiten op uw gebruiker

De Zaptec Pro ondersteunt de meest gebruikte laadpassen (Mifare Classic). Als u een visueel leesbare code hebt, kan deze worden toegevoegd via de Zaptec Portal of door de laadpas met behulp van het laadstation op de hieronder beschreven wijze te scannen. Uw gebruikersprofiel moet toegang hebben tot de installatie die u wilt gebruiken. Dit moet worden geregeld door de admin. / de eigenaar van de installatie in de Zaptec Portal.

1. Download de Zaptec-app in de App Store/Google Play.
2. Registreer u als gebruiker en log in op de Zaptec-app.
3. Ga naar het menu, selecteer het gebruikersprofiel en voeg een nieuwe laadkaart toe. Volg dan de instructies in de Zaptec-app.

MID model: geïntegreerde MID-gecertificeerde energiemeter

Zaptec Pro heeft een geïntegreerde MID-gecertificeerde energiemeter. MID Klasse-B certificering komt overeen met wereldwijde gestandaardiseerde meetmethoden voor energiemeters. Elk laadstation wordt door Zaptec afzonderlijk gekalibreerd en garandeert hiermee elke nauwkeurige meting. Op het display is de totaal geleverde energie tijdens de levensduur van het laadpunt af te lezen. Om uw laadsessies te bekijken, gebruikt u de Zaptec App, Zaptec Portal of uw eMobility provider. Meer technische informatie over de MID-energiemeter, vindt u op <https://zaptec.com/mid>.

Hoe controleert u het laadstation (Zaptec Portal)

U kunt inloggen via de Zaptec Portal om al uw laadstations en alle laadstations waar u voor gebruik bent geregistreerd te bekijken. Als u de eigenaar bent van een installatie, kunt u al het gebruik controleren en u kunt deze informatie gebruiken om de elektriciteitskosten eerlijk te delen. De installatie of de eigenaar van de installatie moet u als gebruiker van de installatie toevoegen opdat u de informatie kunt zien. Log in of registreer u als nieuwe gebruiker op <https://portal.zaptec.com>

Gebruikers toevoegen aan de installatie

De eigenaar van de installatie kan gebruikers van het systeem toevoegen door naar 'toegang' te gaan. Hier kunnen nieuwe gebruikers worden toegevoegd, uitgenodigd of uit het systeem worden verwijderd. Dat veronderstelt dat authenticatie (gebruikersregeling) op de installatie is geactiveerd.

De laadkabel voor het laadstation vergrendelen

De laadkabel kan permanent aan het laadstation worden vergrendeld. Deze functie wordt geactiveerd via de Zaptec- app.

1. Log in op de Zaptec-app (te downloaden in de App Store/Google Play).
2. Ga naar instellingen en selecteer het gewenste laadstation.
3. Voer de pincode in voor het betreffende laadstation en activeer Kabel vergrendelen voor dit laadstation.

Lichtsterkte voor de statusindicator instellen

- Log in op de Zaptec-app.
- Klik op het tandwiel in de rechterbovenhoek van de startpagina van de app.
- Selecteer het laadstation waarvoor u de instellingen wilt wijzigen.
- Voer de pincode voor het laadstation in
De lichtsterkte kan worden aangepast met behulp van de schuifregelaar onder 'Lichtsterkte voor statusindicator'.

Foutcodes uitlezen

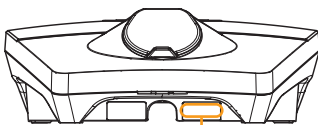
- Log in op de Zaptec-app.
- Klik op het tandwiel in de rechterbovenhoek van de startpagina van de app.
- Selecteer het laadstation waarvoor u de foutcode wilt weergeven.
- Zodra de app is aangesloten op het laadstation, verschijnt er een rood veld wanneer de lader actieve foutcodes heeft. Klik op dit veld om de details van de actieve foutcodes weer te geven.

3. Probleemoplossing

Waarschuwingen/foutmeldingen worden weergegeven in de Zaptec Portal /Zaptec-app.

Probleem	Oplossing
Inloggen op de Zaptec Portal is niet mogelijk	Reset het wachtwoord door op 'Wachtwoord vergeten' te klikken
Kan geen installatie aanmaken via de Zaptec Portal	Neem contact op met Zaptec Support om toegang te krijgen tot het aanmaken van installaties.
Laadstation is niet online, 4G-installatie	<ul style="list-style-type: none"> • Zorg ervoor dat het laadstation nergens door wordt afgedekt. • Test de dekking op de installatiesite met uw eigen mobiel. Voor nauwkeurige meting moet een mobiel met een Telenor-simkaart worden gebruikt.
Het laadstation is niet online, PLC-installatie	<ul style="list-style-type: none"> • Controleer de netwerkinstelling op de router of het modem. • Controleer of het internet werkt door de computer rechtstreeks aan te sluiten op de router of het modem. • Niet geconfigureerd. • Controleer of de PLC-module is geïnstalleerd in overeenstemming met het circuitdiagram, op dezelfde L1 en N als de (het) laadstation(s)
Het laadstation is niet online, WiFi-installatie	<ul style="list-style-type: none"> • Controleer de netwerkinstelling op de router of het modem. • Controleer of het internet werkt door de computer rechtstreeks aan te sluiten op de router of het modem. • Ontkoppel andere apparaten die zijn verbonden met WiFi en die de breedbandsnelheid kunnen vertragen. • Controleer of de SSID en het wachtwoord voor de WiFi correct zijn. • Zorg ervoor dat 2,4 GHz is geactiveerd, zodat de Zaptec Pro een netwerkverbinding krijgt. Zie de Installatievereisten, pagina 11. • Voer de SSID en het wachtwoord handmatig in door Overige in de netwerklijst te selecteren.
Opladen start niet	Controleer of het gebruikersprofiel toegang heeft tot opladen op het laadstation
Het laadstation krijgt geen stroom	<ul style="list-style-type: none"> • Volg de instructies in de paragraaf 'De zekeringen in het laadstation controleren' • Controleer de hoofdzekering in de installatie

Kleur	Betekenis
GEEN LICHT	Het laadstation is niet geactiveerd in de Zaptec Portal, geen stroom van het stroomcircuit, een onjuiste aansluiting of een productfout. Controleer de seriële bescherming in de verdeelkast
 PAARS	Niet bijgewerkt tijdens het opladen.
 GROEN	<ul style="list-style-type: none"> Controleer of de laadkabel juist in het laadstation is aangebracht. Controleer of het voertuig is geconfigureerd om onmiddellijk met opladen te kunnen beginnen.
 BLAUW	<ul style="list-style-type: none"> Er vindt communicatie plaats tussen het laadstation en het voertuig. Controleer of het voertuig is geconfigureerd om onmiddellijk met opladen te kunnen beginnen.
 ROOD	<p>Knipperend rood licht</p> <ul style="list-style-type: none"> Authenticatie is mislukt – controleer of de RFID-tag/ laadkaart is verbonden met uw gebruikersprofiel. Authenticatie is mislukt – controleer in de Zaptec Portal of uw gebruiker toegang heeft tot opladen op het betreffende laadstation en/of de betreffende installatie. <p>Onafgebroken rood licht</p> <ul style="list-style-type: none"> Neem de laadkabel los. Als de statusindicator groen brandt, kunt u de laadkabel opnieuw aansluiten. Als het opladen niet start en de indicator opnieuw rood brandt, kan er een laadfout zitten in de laadkabel of het voertuig. Als het lampje van de statusindicator niet groen wordt nadat de laadkabel is losgenomen, moet u de zekeringen controleren als beschreven in het hoofdstuk 'De zekeringen in het laadstation controleren'. Authenticatie is mislukt – controleer of de RFID-tag/ laadkaart is verbonden met uw gebruikersprofiel.



Serienummer
bijv. ZPR123456

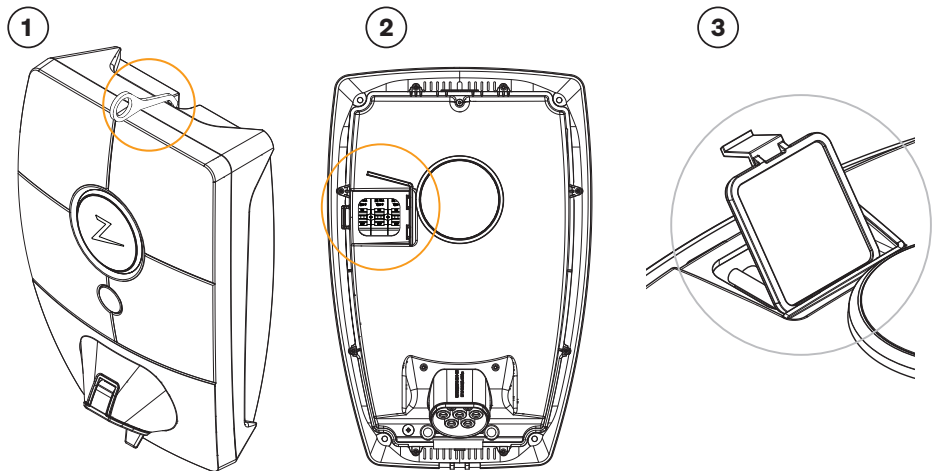


Als het laadstation is losgekoppeld van het stroomnet, duurt het 2-3 minuten voordat het laadstation weer opstart.

4. Controleer de stroomonderbreker in het laadstation

1. Verwijder de voorplaat met behulp van de speciale SmartKey* die bij het laadstation wordt geleverd en neem de voorplaat af.
2. Controleer of de stroomonderbrekers in het zekeringenvenster niet zijn uitgevallen (ze moeten allemaal naar boven gericht zijn).
3. Als een van de stroomonderbrekers is uitgeschakeld, klikt u de afdekking van de stroomonderbreker los en duwt u de stroomonderbrekers weer omhoog. Breng de beschermklep van de stroomonderbrekers aan zoals beschreven in stap twee en klik hem vast.

* Als het laadstation is gemonteerd op een Zaptec-kolom, heeft u een SmartKey-kolom (meegeleverd met de kolom) nodig om toegang te krijgen tot het laadstation.



5. Opslag en onderhoud

Het product moet op een koele, droge plaats worden bewaard. De beschermkap moet altijd worden aangebracht wanneer het product niet in gebruik is.

Het volgende periodieke onderhoud wordt aanbevolen:

- Neem het laadstation af met een vochtige doek.
- Zorg ervoor dat er geen vreemde voorwerpen in de laadconnector zitten.
- Controleer of het laadstation geen externe, fysieke schade heeft.

Periodieke controles moeten worden uitgevoerd op alle voor het publiek toegankelijke installaties, in overeenstemming met de lokale wetgeving.

6. Garantie

Wij garanderen dat het apparaat vrij is van materiële gebreken en voldoet aan de toepasselijke wet- en regelgeving voor consumentenbescherming in het land waar het product is gekocht of de consument woonachtig is. Meer informatie over uw rechten uit hoofde van de consumentenwetgeving vindt u op zaptec.com/guarantee. Uw Zaptec-product wordt geleverd met een garantie van vijf (5) jaar. Het garantiedocument is te vinden op zaptec.com/guarantee

7. Support en reparaties

De installatiemonteur/servicepartner is altijd de eerste lijn van ondersteuning bij problemen met de installatie. Zaptec raadt de installatietechnicus ten zeerste aan om de dealercursus voor Zaptec Pro te voltooien voordat een Zaptec Pro-systeem wordt geïnstalleerd. Bent u een Zaptec-dealer, neem dan contact op met de ondersteuningsafdeling zoals vermeld in uw dealercontract, of via zaptec.com.



Zaptec Charger AS verzamelt via het netwerk gegevens van het product. Meer informatie over onze privacyrichtlijnen is te vinden op zaptec.com/guarantee.

Zaptec Charger AS
Made in Norway



zaptec.com
